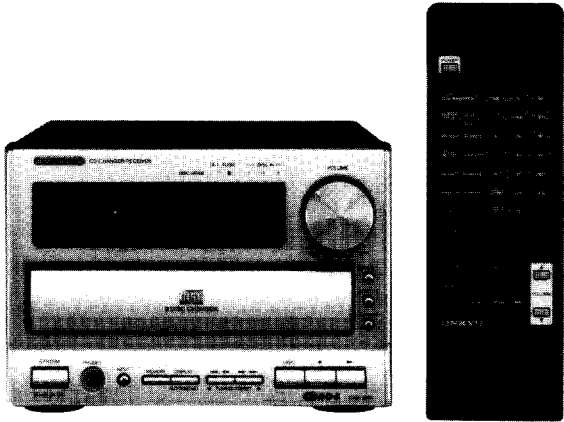


ONKYO® SERVICE MANUAL

CD CHANGER RECEIVER MODEL CHR-185X



Silver models

UP	230V AC, 50Hz
UD	120V AC, 60Hz

SAFETY-RELATED COMPONENT WARNING!!

COMPONENTS IDENTIFIED BY MARK Δ ON THE SCHEMATIC DIAGRAM AND IN THE PARTS LIST ARE CRITICAL FOR RISK OF FIRE AND ELECTRIC SHOCK. REPLACE THESE COMPONENTS WITH ONKYO PARTS WHOSE PART NUMBERS APPEAR AS SHOWN IN THIS MANUAL.

MAKE LEAKAGE-CURRENT OR RESISTANCE MEASUREMENTS TO DETERMINE THAT EXPOSED PARTS ARE ACCEPTABLY INSULATED FROM THE SUPPLY CIRCUIT BEFORE RETURNING THE APPLIANCE TO THE CUSTOMER.

TABLE OF CONTENTS

- Specifications 2
- Caution on replacement of optional pickup 2
- Protection of eyes from laser beam during servicing 3
- Laser warning label 3
- Service procedures 4
- Block diagram 5
- Chassis exploded view and parts list 8
- Microprocessor terminal description 10
- IC block diagrams and descriptions 13
- CD drive exploded view and parts list 22
- CD mechanism pc board 23
- Printed circuit board parts list 24
- Printed circuit board view from bottom side 27
- Schematic diagram(Amp) 29
- Printed circuit board view from bottom side 31
- Schematic diagram(CD) 33
- Schematic diagram(Tu) 35
- CD mechanism exploded view and parts list 37
- CD mechanism exploded view 39
- How to dismantle CD Changer mechanism 41
- Tuner Adjustment procedures 50
- CD Adjustment procedures 51
- Packing view/parts list 52



SPECIFICATIONS

AMP SECTION

Power Output:	
US model:	20 watts per channel min. RMS into 4 ohms both channel driven at 1 kHz no more than 0.2% total harmonic distortion
Other models:	2 x 20 watts at 4 ohms 1 kHz DIN 2 x 15 watts at 8 ohms 1 kHz DIN 2 x 25 watts at 4 ohms EIAJ
Dynamic Power:	2 x 24 watts at 4 ohms 2 x 18 watts at 8 ohms
Total Harmonic Distortion:	0.2 % at rated power
IM Distortion:	0.2 % at rated power
Damping Factor:	40 at 8 ohms
Sensitivity and Impedance:	TAPE / MD PLAY : 150 mV, 50 kohms LINE IN : 150 mV, 50 kohms
Frequency Response:	10 to 50,000 Hz : +0 / -3dB
Tone Control:	Super BASS : + 9.5 dB at 55 Hz BASS : ± 10 dB at 100 Hz TREBLE : ± 10 dB at 10,000 Hz
Single-to-Noise Ratio:	TAPE : 100 dB (IHF A)
Muting	-∞ dB

FM Tuner section

Tuning Range:	
US model:	87.9 to 107.9 MHz (200 kHz steps)
Other models:	87.50 to 108.00 MHz (50 kHz steps)
Usable Sensitivity:	Mono 12.8 dBf, 1.2 μV (75 ohms IHF) 1.0 μV (75 ohms DIN) Stereo 18.0 dBf, 2.2 μV (75 ohms IHF) 25.0 μV (75 ohms DIN)
50 dB Quieting Sensivity:	Mono 18.8 dBf, 2.4 μV (75 ohms) Stereo 38.8 dBf, 24.0 μV (75 ohms)
Capture Ratio:	2.0 dB
Image Rejection Ratio:	US model: 40 dB Other models: 85 dB
IF Rejection Ratio:	90 dB
Signal-to-Noise Ratio:	Mono 73 dB, IHF Stereo 67 dB, IHF
Selectivity:	
US model:	55 dB
Other models:	50 dB DIN (+ / - 300 kHz at 40 kHz devi.)
Harmonic Distortion:	Mono 1.0 % Stereo 1.5 %
Frequency Response:	30 to 15,000 Hz (+ / - 1.5 dB)
Stereo Separation:	35 dB at 1,000 Hz 25 dB at 100 to 10,000 Hz
Stereo Threshold:	FM : 17.2 dBf, 2.0 μV (75 ohms)

CD SECTION

Signal Readout System:	Optical non-contact
Reading Rotation:	About 500 - 200 r.p.m. (constant linear velocity)
Linear Velocity:	1.2 - 1.4 m / s
Error Correction System:	Cross Interleave Read Solomon code
D / A Converter:	1 bit
Digital Filter:	352.8 kHz 8 times over sampling
Number of Channels:	2 (stereo)
Frequency Response:	5 Hz - 20 kHz

General

Power Supply:	AC 230 V, 50 Hz AC 120 V, 60 Hz
Power Consumption:	55 W
Dimensions:	185 W x 131 H x 378 D mm (7-5/16" x 5-3/16" x 14-7/8")
Weight:	5.0 kg (11.0 lbs)

Specifications and features are subject to change without notice.

CAUTION ON REPLACEMENT OF OPTIONAL PICKUP

The laser diode in the optical pickup block is so sensitive to static electricity, surge current and etc, that the components are liable to be broken down or its reliability remarkably deteriorated.

PRECAUTIONS

During repair, carefullly take the following precautions.
(The following precautions are included in the service parts.)

- | | |
|--|---|
| <ol style="list-style-type: none"> 1. Ground for the work-desk.
Place a conductive sheet such as a sheet of copper (with impedance lower than 10MΩ) on the work-desk and place the set on the conductive sheet so that the chassis. 2. Grounding for the test equipment and tools.
Test equipment and toolings should be grounded in order that their ground level is the same the ground of the power source. | <ol style="list-style-type: none"> 3. Grounding for the human body.
Be sure to put on a wrist-strap for grounding whose other end is grounded.
Be particulary careful when the workers wear synthetic fiber clothes, or air is dry. 4. Select a soldering iron that permits no leakage and have the tip of the iron well- grounded. 5. Do not check the laser diode terminals with the probe of a circuit tester or osilloscope. |
|--|---|

PROTECTION OF EYES FROM LASER BEAM DURING SERVICING

This set employs a laser. Therefore, be sure to follow carefully the instructions below when servicing.

WARNING !!

WHEN SERVICING, DO NOT APPROACH THE LASER EXIT WITH THE EYES TOO CLOSELY. IN CASE IT IS NECESSARY TO CONFIRM LASER BEAM EMISSION, BE SURE TO OBSERVE FROM A DISTANCE OF MORE THAN 30cm FROM THE SURFACE OF THE OBJECTIVE LENS ON THE OPTICAL PICK-UP BLOCK.

Laser Diode Properties

- Material: GaAlAs
- Wavelength: 760-800nm
- Emission Duration: continuous
- Laser output: max. 0.5mW*

* This output is the value measure at a distance about 1.8mm from the objective lens surface on the Optical pick-up Block.

LASER WARNING LABELS

There labels are located on the mechanism.

1. Warning lable

This label is located on the chassis.

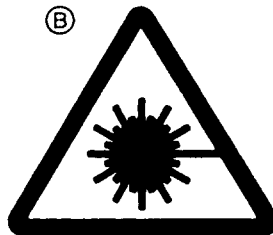
(A)

DANGER —INVISIBLE LASER RADIATION WHEN OPEN AND INTERLOCK FAILED OR DEFEATED. AVOID DIRECT EXPOSURE TO BEAM.

CAUTION —HAZARDOUS LASER AND ELECTROMAGNETIC RADIATION WHEN OPEN AND INTERLOCK DEFEATED.

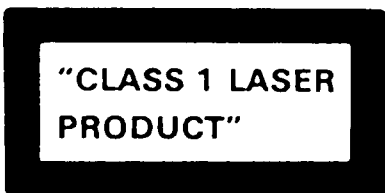
ATTENTION —RAYONNEMENT LASER ET ELECTROMAGNETIQUE DANGEREUX SI OUVERT AVEC L ECLENCHEMENT DE SECURITE ANNULE.

(B)



2. Class 1 label

This label is located on the left side of top cover.





LUOKAN 1
LASERLAITE

KLASS 1
LASER APPARAT

SERVICE PROCEDURES

1. Replacing the fuses

 This symbol located near the fuse indicates that the fuse used is fast operating type. For continued protection against fire hazard, replace with same type fuse. For fuse rating refer to the marking adjacent to the symbol.

 Ce symbole indique que le fusible utilise est a rapide. Pour une protection permanente, n'utiliser que des fusibles de meme type. Ce dernier est indique la qu le present symbol est appose.

Circuit No.	Part No.	Description
F901	252083	0.4A-SE-EAWK, Fuse <P>
F901	252158	1.6A-UL/T-237, Fuse <D>

NOTE: <P> 230V model only
<D> 120V model only

2. To Initialize the unit

This device employs a microprocessor to perform various functions and operations. If interference generated by an external power supply, radio wave, or other electrical source results in accident which causes the specified operations and functions to operate abnormally.

To perform a result, please follow the procedure below.

1. Press and hold down the DOWN (▼) button, then press the DISC-3 (OPEN/CLOSE) button.
2. Press the POWER button.
3. After "clear" is displayed, the prest memory and each mode stored in the memory, are initialized and will return to the factory settings.

CAUTION ON REPLACEMENT OF OPTICAL PICKUP

The laser diode in the optical pickup block is so sensitive to static electricity, surge current and etc. that the components are liable to be broken down or its reliability remarkably deteriorated.

During repair, carefully take the following precautions.

1. When replacing the CD mechanism assembly, first short the pattern on the CD mechanism pc board and remove the connector (P301).
2. When replacing the optical pickup, first short the LD terminals and remove the connector. Also, when attaching the new optical pickup, after attaching the connector, unsolder the LD terminals.
3. Do not touch the optical object lens with the hands.

3. Safety-check out

After correcting the original service problem, perform the following safety check before releasing the set to the customer. Connect the insulating-resistance tester between the plug of power supply cord and the screw on the back panel.

Specifications: More than 10 MΩ at 500V.

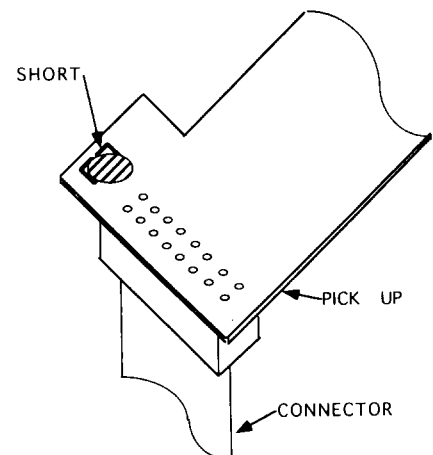
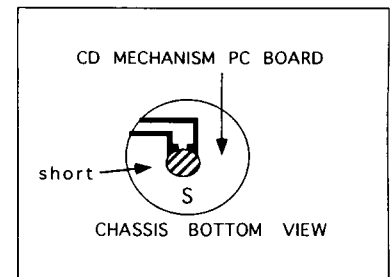
4. Memory preservation

This unit does not require memory preservation batteries.

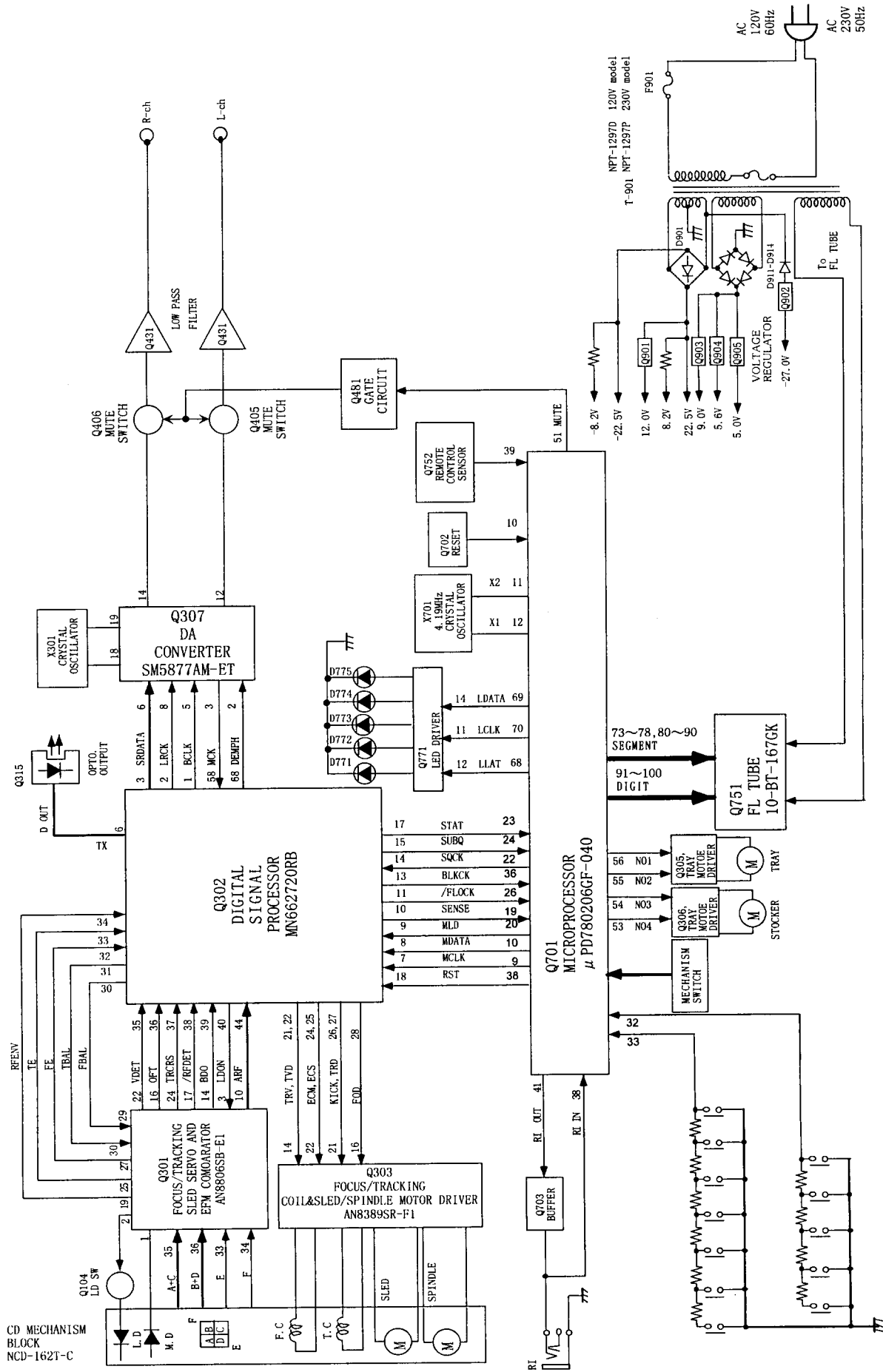
A built-in memory power back-up system preserves contents of the memory during power failures and even when the unit is unplugged.

The unit must be plugged in and the power switch turned on and off once in order to charge the back-up system. Note that since this is not a permanent memory, the power switch must be turned on and off a few times each month the keep the back-up system operative.

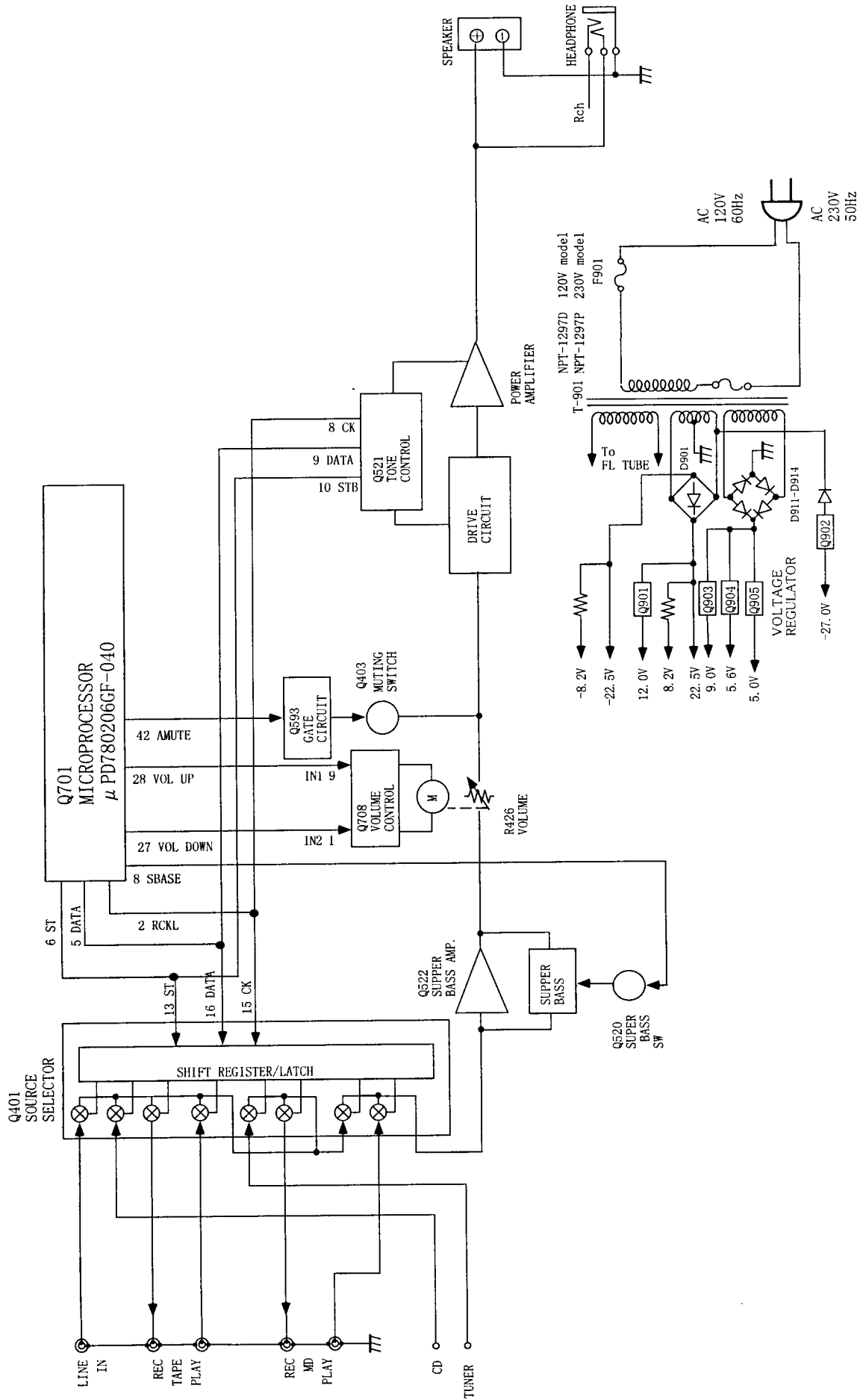
The period of the time during which memory contents are preserved after power has last been turned off varies depending on climate and placement of the unit. On the average, memory contents are protected over a period of 3 to 4 weeks (a minimum of 2 weeks) after the last time power has been turned off. This period is shorted when the unit is exposed to very high humidity or used in an area with an extremely humid climate.



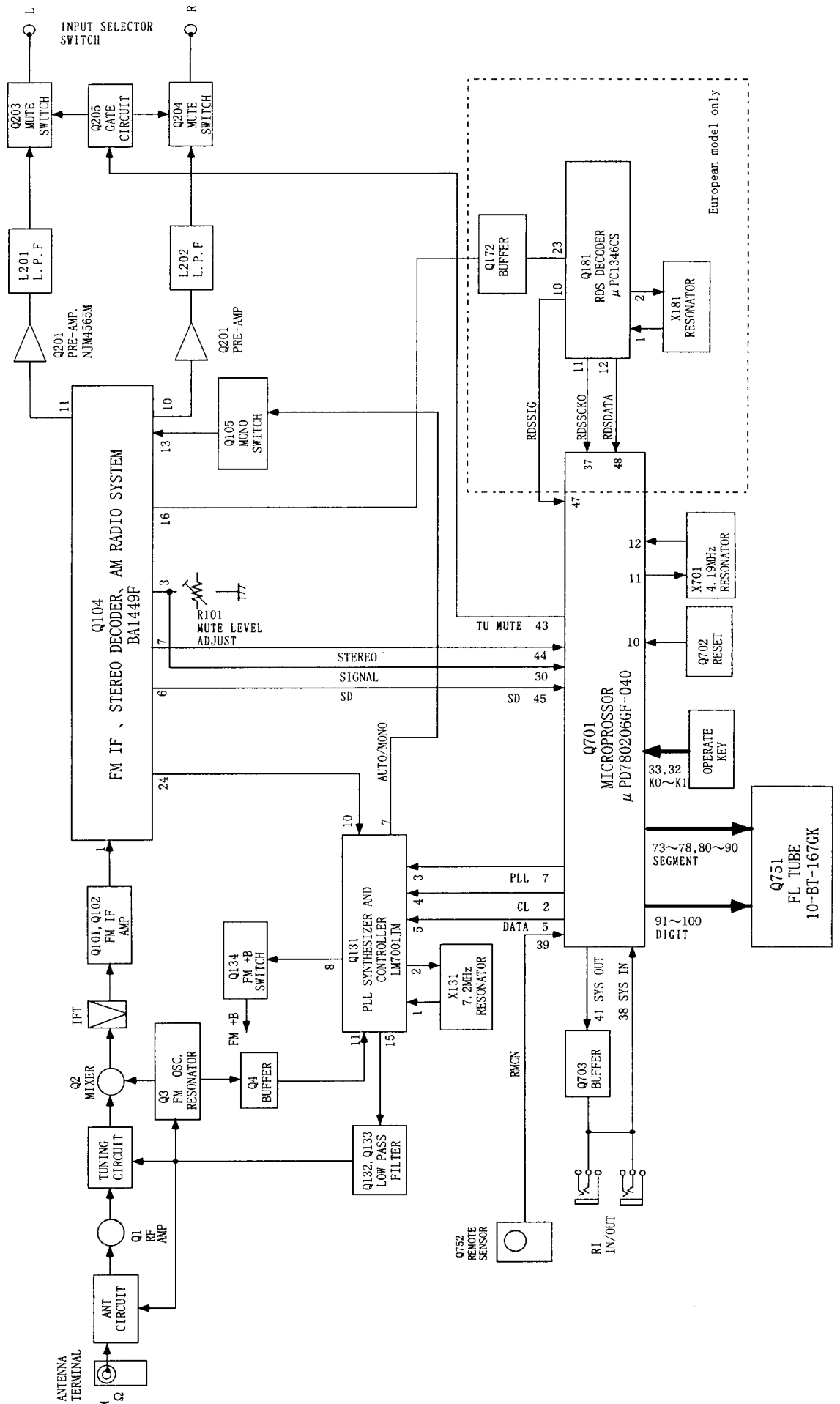
BLOCK DIAGRAM(CD SECTION)



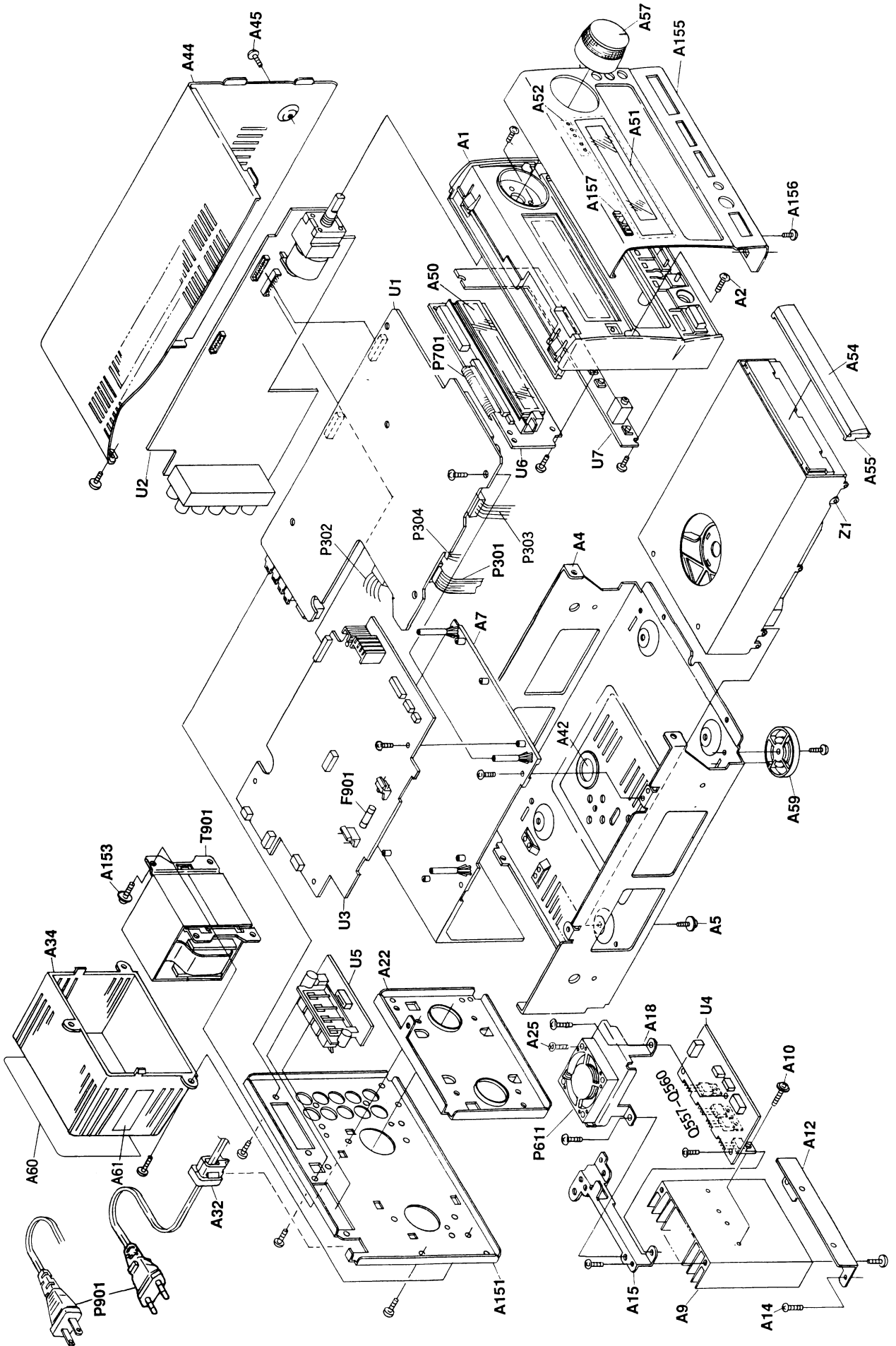
BLOCK DIAGRAM(AMP SECTION)



BLOCK DIAGRAM(TUNER SECTION)



CHASSIS EXPLODED VIEW



CHASSIS EXPLODED VIEW PARTS LIST

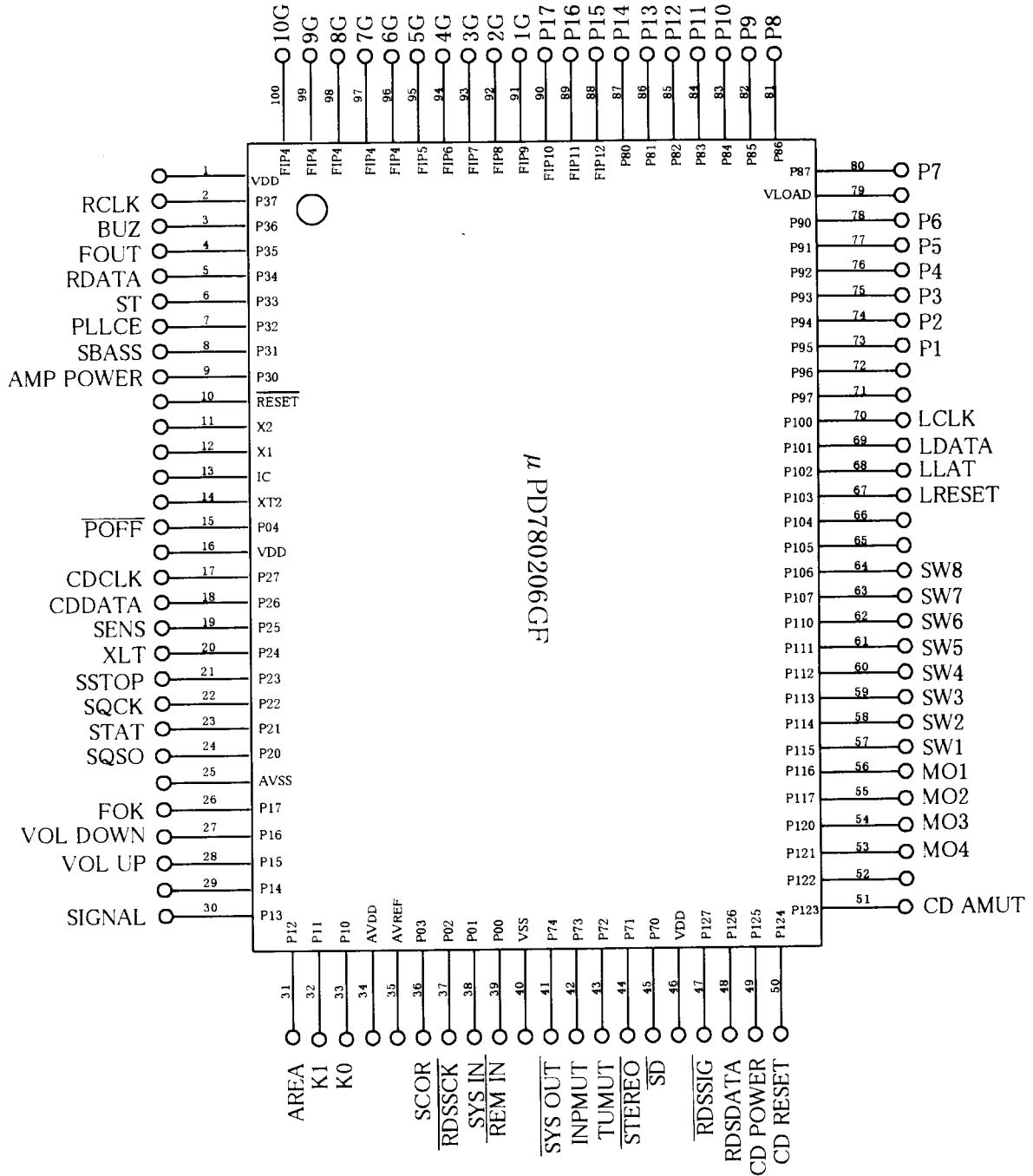
REF. NO.	PART NO.	DESCRIPTION	REF. NO.	PART NO.	DESCRIPTION
A1	27110982A	Front bracket	E852	838430107	3TTB+10S(BC), Special screw
A2	838130088	3TTB+8B, Self-tapping screw	F901	252083	0.4A-SE-EA WK, Fuse <P>
A4	27100326	Chassis	F901	252158	1.6A-UL/T-237, Fuse <D>
A5	831430088	3TTW+8B(BC), Self-tapping screw	P301	2044160062	NCFC4-160062, Flexible flat cable
A6	28140835	Cushion	P302	2002391220	NSAS-12P0593, Socket
A7	27190997	Holder, mechanism	P303	2001191830	NSAS-18P0590, Socket
A9	27160382	RAD-109, Radiator	P304	2001190830	NSAS-8P0591, Socket
A10	801433	3SMS8W_SW+14B(BC), Special screw	P611	24502283	D04X-24TL, Fan
A12	27141675	Retainer, heat sink	P701	2047351012	NCFC7-351012, Flexible flat cable
A14	834430068	3TTS+6B(BC), Self-tapping screw	P901	253193HIT	AS-CEE, Power supply cord <P>
A15	27141676	Retainer, heat sink	P901	253277MIL	AS-UC-2#18, Power supply cord <D>
A18	27141677	Retainer, fuse	Q557, Q558	2202063,	2SC4511-O,
A22	27130787B	Bracket	Q557, Q558	2202064 or	2SC4511-Y or
A25	838430107	3TTB+10S(BC), Self-tapping screw	Q557, Q558	2202066	2SC4511-P, Transistor
A32	27300750	Bushing, cord	Q559, Q560	2202053,	2SA1725-O,
A34	28184677	Cover, transformer	Q559, Q560	2202054 or	2SA1725-Y or
A42	27262600	Plate S	Q559, Q560	2202056	2SA1725-P, Transistor
A44	28184678Z	Top cover	T901	2301265A	NPT-1297P, Power transformer <P>
A45	838230088	3TTB+8B(Ni), Nickel screw	T901	2301264B	NPT-1297D, Power transformer <D>
A50	28133362	Back plate	U1	1H391589-2B	NAAR-5989-2B, Main circuit PC board ass'y <P>
A51	28191773A	Clear plate	U1	1H391589-2C	NAAR-5989-2C, Main circuit PC board ass'y <D>
A52	28198860	Facet	U2	1H391590-2B	NAAF-5990-2B, Preamplifier PC board ass'y <P>
A54	27301918	Door	U2	1H391590-2C	NAAF-5990-2C, Preamplifier PC board ass'y <D>
A55	27301920	Base, door	U3	1H391591-2B	NAAF-5991-2B, Power supply circuit PC board ass'y <P>
A57	28325612	Knob, Volume	U3	1H391591-2C	NAAF-5991-2C, Power supply circuit PC board ass'y <D>
A59	27175252-1B	Leg	U4	1H391592-2B	NAAF-5992-2B, Power amplifier PC board ass'y <P>
A60	29362355	Label, rating <P>	U4	1H391592-2C	NAAF-5992-2C, Power amplifier PC board ass'y <D>
A60	29362377	Label, rating <D>	U5	1H391593-2B	NAETC-5993-2B, Speaker terminal PC board ass'y <P>
A149	29095846	Sheet, power transformer <D>	U5	1H391593-2C	NAETC-5993-2C, Speaker terminal PC board ass'y <D>
A150	27270422	Spacer PT <D>	U6	1H391594-2B	NADIS-5994-2B, Display circuit PC board ass'y <P>
A151	27122316	Rear panel <P>	U6	1H391594-2C	NADIS-5994-2C, Display circuit PC board ass'y <D>
A151	27122316	Rear panel <D>	U7	1H391595-2B	NASW-5995-2B, Switch circuit PC board ass'y <P>
A153	830440089	4TTC+8C(BC), Self-tapping screw	U7	1H391595-2C	NASW-5995-2C, Switch circuit PC board ass'y <D>
A153	830440089	4TTC+8C(BC), Self-tapping screw	Z1	24800041	NCD-162T-C, CD mechanism ass'y
A154	29362285	Label, caution	Z704	29360687	Label (CLASS) <P>
A155	27212047	Front panel <P>			
A155	27212056	Front panel <D>			
A156	801525	3TTB+8B(BC), Self-tapping screw			
A157	28135247	Badge <P>			
A158	29360626-1	Label, fuse <D>			

NOTE: THE COMPONENTS IDENTIFIED BY MARK
 Δ ARE CRITICAL FOR RISK OF FIRE AND
 ELECTRIC SHOCK. REPLACE ONLY WITH
 PART NUMBER SPECIFIED.

CAUTION : Replacement of the transistor of mark *,
 if necessary must be made from the same
 beta group (HFE) as the original type.

NOTE: <D> 120V model only
 <P> 230V model only

μ PD780206GF-040(Microprocessor)



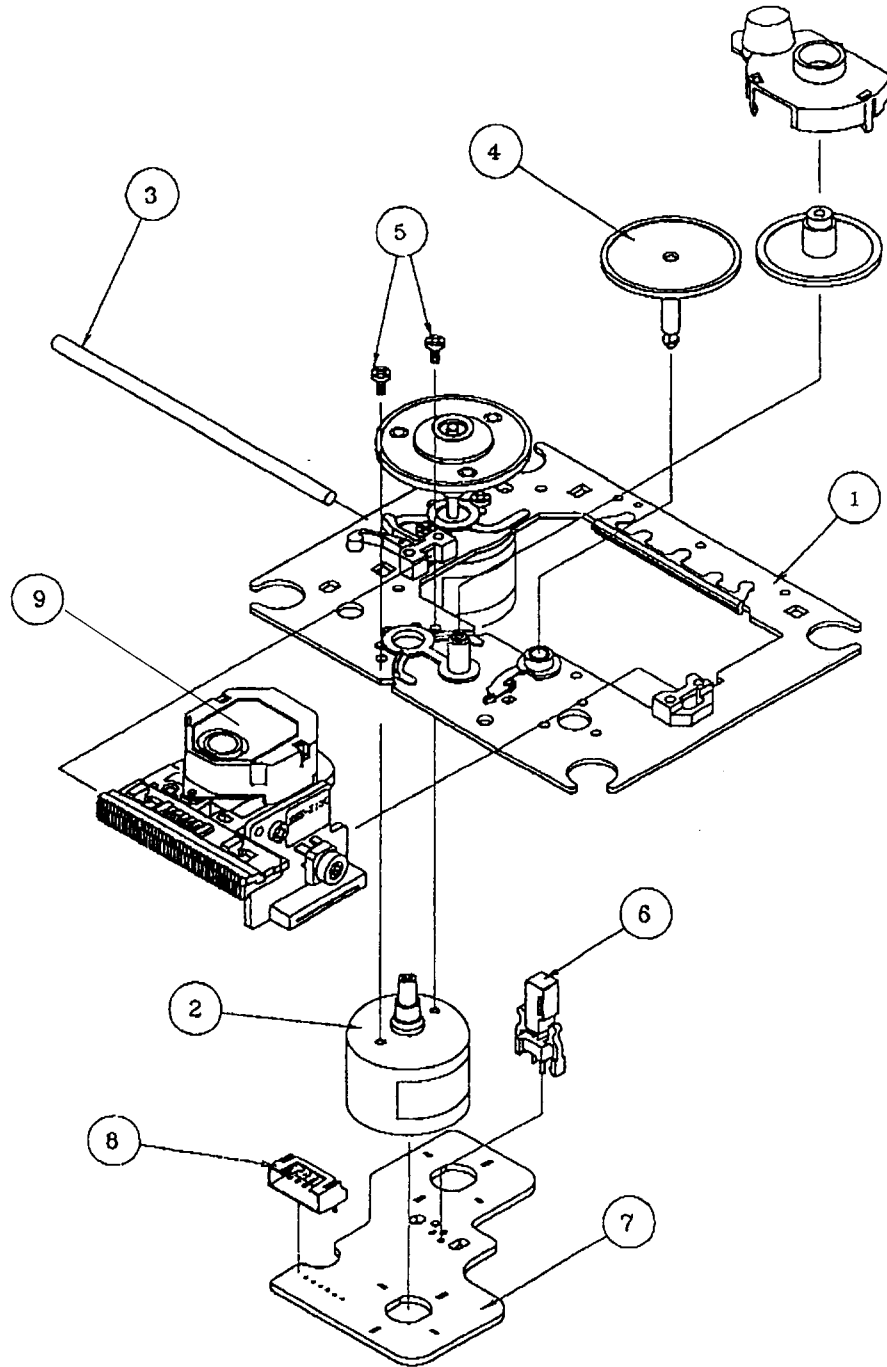
MICROPROCESSOR TERMINAL DESCRIPTIONS(1/2)

PIN NO.	SYMBOL	FUNCTION	DESCRIPTION															
1	VDD	VDD	Power supply terminal. (+5V)															
2	P37	RCLK	Connect to CK output terminal of TC9164AN function switch, CL terminal of PLL LM7001 and CK terminal of TC9184P of electronics volume output terminals.															
3	P36	BUZ	Buzzer output terminal.															
4	P35	FOUT	Clock monitor output terminal. (at all light mode: output)															
5	P34	RDATA	Connect to DATA terminal of TC9164AN function switch, DATA terminal of PLL LM7001 and DATA terminal of TC9184P electronics volume output terminal.															
6	P33	ST	Connect to TC9164AN of function switch, TC9184P STB of electronics volume output terminal.															
7	P32	PLLCE	Connect to CE terminal of PLL LM7001 output terminal.															
8	P31	SBASS	Super bass control output terminal. (at SBASS ON : "H")															
9	P30	AMP POWER	Power supply (POWER) control output terminal. (at POWER ON : "H")															
10	RESET	RESET	System reset input terminal. (at active: "L")															
11	X2	X2	Main system clock oscillator crystal connect terminal.															
12	X1	X1	Connect to 4.19MHz ceramic oscillator.															
13	IC	IC	IC terminal. connect to GND.															
14	XT2	XT	Sub system clock oscillator crystal connect terminal. (not used)															
15	P04	POFF	Power down reset sensor input terminal. (at power down : "2")															
16	VDD	VDD	Power supply (+5V) terminal.															
17	P27	CDCLK	Connect to MLOK terminal of signal processor IC MN662724RPE.															
18	P26	XLT	Connect to MLD terminal of signal processor IC MN662724RPE.															
19	P25	CDDATA	Connect to MDATA terminal of signal processor IC MN662724RPE.															
20	P24	STAT	Connect to STAT terminal of signal processor IC MN662724RPE.															
21	P23	SSTOP	Pick-up inner side sensor of mechanism switch input terminal.															
22	P22	SQCK	Connect to SQCK terminal of signal processor IC MN662724RPE.															
23	P21	SENS	Connect to SENSE terminal of signal processor IC MN662724RPE.															
24	P20	SQSO	Connect to SQBQ terminal of signal processor IC MN662724RPE.															
25	AVSS	AVSS	A/D converter ground voltage terminal.															
26	P17	FOK	CD mechanism FOK output terminal. (at active: "H")															
27	P16	VOL DOWN	Volume up/down control output terminal. (at active : "H")															
28	P15	VOL UP	Volume up/down of Remote control code as bellow. <table border="1" style="margin-left: auto; margin-right: auto;"> <thead> <tr> <th>operation</th> <th>VOL UP output</th> <th>VOL DOWN output</th> </tr> </thead> <tbody> <tr> <td>stop (brake)</td> <td>H</td> <td>H</td> </tr> <tr> <td>VOLUME UP</td> <td>H</td> <td>L</td> </tr> <tr> <td>VOLUME DOWN</td> <td>L</td> <td>H</td> </tr> <tr> <td>POWER OFF</td> <td>L</td> <td>L</td> </tr> </tbody> </table>	operation	VOL UP output	VOL DOWN output	stop (brake)	H	H	VOLUME UP	H	L	VOLUME DOWN	L	H	POWER OFF	L	L
operation	VOL UP output	VOL DOWN output																
stop (brake)	H	H																
VOLUME UP	H	L																
VOLUME DOWN	L	H																
POWER OFF	L	L																
29	P14	not used	not used (at normal: "L")															
30	P13	SIGNAL	auto memory signal level input terminal. analog voltage input (8 step)															
31	P12	AREA	Initializing setting terminal for the frequency range: (BAND0, BAND1, AK10K)															
32	P11	K1	Key input terminal.															
33	P10	K0	Key input terminal.															

MICROPROCESSOR TERMINAL DESCRIPTIONS(2/2)

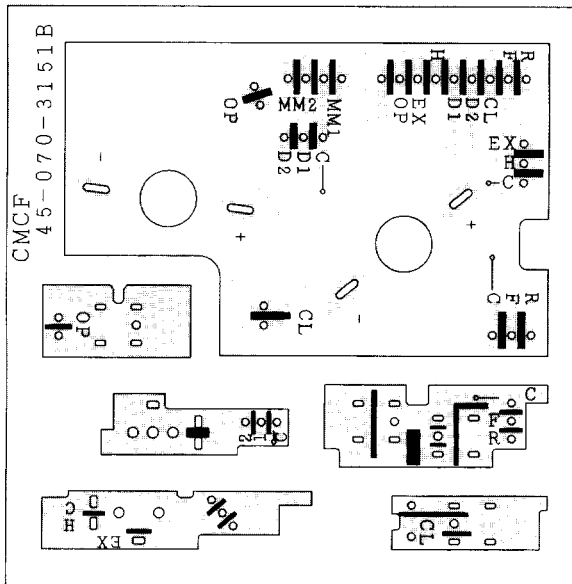
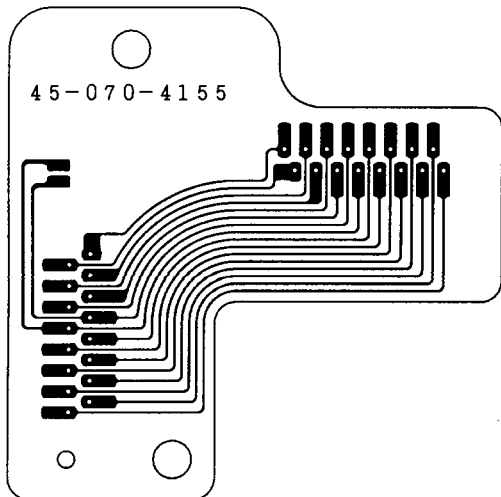
PIN NO.	SYMBOL	FUNCTION	DESCRIPTION
34	AVDD	AVDD	A/D converter analog power supply (+5V) terminal.
35	AVREF	AVREF	A/D converter standard voltage input terminal.
36	P03	SCOR	Connect to BLKCK terminal of signal processor IC MN66272RPE. subcode sensor
37	P02	RDSSCK	Connect to CLK out terminal of RDS decoder IC μ PC1346CS.
38	P01	SYSIN	System code input terminal. (at active: "H")
39	P00	REMIN	Remote control signal input terminal. (at active:"L")
40	VSS	VSS	GND
41	P74	SYSOUT	System code output terminal. (at active: "L")
42	P73	INPMUT	Analog muting output terminal. (at active : "H")
43	P72	TUMUT	Tuner muting output terminal. (at active: "H")
44	P71	STEREO	Stereo signal detector input terminal. (at stereo: "L")
45	P70	\overline{SD}	Station sensor input terminal. (at station: "L")
46	VDD	VDD	Power supply (+5V) terminal.
47	P127	RDSSIG	RDS station detector input terminal. (at RDS station: "L")
48	P126	RDSDATA	Connect to DATA output terminal of RDS decoder IC μ PC1346CS.
49	P125	CD POWER	CD mechanism power output terminal. (at active : "H")
50	P124	CD RESET	CD mechanism reset output terminal. (at active : "H")
51	P123	CD AMUT	CD analog muting output terminal. (at active : "H")
52	P122	not used	not used (at normal: "L")
53	P121	M04	CD mechanism motor output terminal.
54	P120	M03	
55	P117	M02	
56	P116	M01	
57-62	P115-P110	SW1-SW6	CD mechanism switch input terminal.
63	P107	SW7	
64	P106	SW8	
65	P105	not used	not used (at normal: "L")
66	P104	not used	not used (at normal: "L")
67	P103	LRESET	LED output terminal. Connect to reset terminal of port expand IC 74HC595.
68	P102	LLAT	LED output terminal. Connect to latch clock terminal of port expand IC 74HC595.
69	P101	LDATA	LED output terminal. Connect to D terminal of port expand IC 74HC595.
70	P100	LCLK	LED output terminal. Connect to SHIFT CLOCK terminal of port expand IC 74HC595.
71	P97	not used	not used. (at normal: "L")
72	P96	not used	not used. (at normal: "L")
73-78	P95-P90	P1-P6	Segment output terminal. (at active: "H")
79	VLOAD	VLOAD	FIP controller/driver pull down resistor connect terminal.
80-87	P87-P80	P7-P14	Segment output terminal. (at active: "H")
88	FIP12	P15	
89	FIP11	P16	
90	FIP10	P17	
91	FIP9	1G	Grid output terminal. (at active: "H")
92	FIP8	2G	
93-99	FIP7-FIP1	4G-10G	
100	FIP0	3G	

CD DRIVE EXPLODED VIEW AND PARTS LIST(KSM-213CCM)

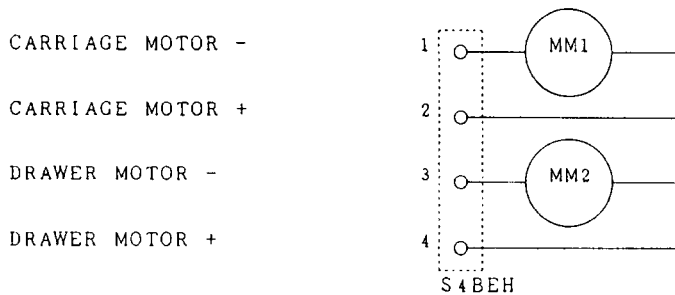
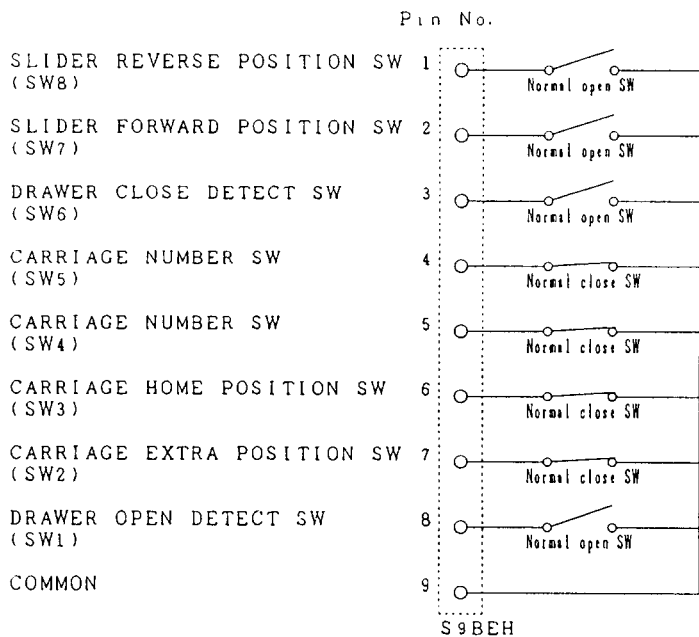


REF.NO.	PART.NO.	DESCRIPTION
1	X-2625-877-1	Motor chassis ass'y
2	X2625-769-1	Motor gear ass'y
3	2626-908-01	Sled shaft
4	24810023	Gear A
5	7621-255-15	P2x3,Pan head screw
6	24840008	Leaf switch
7	1639-678-12	Motor PC board
8	1564-722-11	6P, Connector pin
9	8848-483-05	KSS-213C, Optical pickup

CD MECHANISM PC BOARD



SCHEMATIC DIAGRAM



PRINTED CIRCUIT BOARD PARTS LIST

MAIN CIRCUIT PC BOARD (NAAR-5989-2B/2C)

CIRCUIT NO.	PART NO.	DESCRIPTION	CIRCUIT NO.	PART NO.	DESCRIPTION
	Front end			Oscillators	
TU001	240102	FE417-G02 <P>	X131	3010141 or	XTL-7.2M or
	240131	ENV172D4G1 <D>		3010260	HC-49/U03 7.2M, Crystal
	ICs		X181	3010203	AF6146CG, Crystal <P>
Q104	22241089R2	BA1449F	X301	3010112	KD6586FFB, Crystal
Q131	22241088R2	LM7001JUM	X701	3010224	XTL-4.19M, Crystal
Q181	22240679	MPC1346CS <P>		Capacitors	
Q201	22240581R2	NJM4565M	C001,C111	393341007	10 μ F, 16V, Elect.
Q301	22240924R2	AN8806SB-E1	C106	393321017	100 μ F, 6.3V, Elect.
Q302	22240925R3	MN662720RB	C107,C108	354780229	2.2 μ F, 50V, Elect.
Q303	22240927R2	AN8389SR-E1	C109,C301	374724734	0.047 μ F \pm 5%, 50V, Plastic
Q305,Q306	22240239	TA7291S	C110,C131	354782299	0.22 μ F, 50V, Elect.
Q307	22241074R2	SM5877AM-ET	C112	393380107	1 μ F, 50V, Elect.
Q701	22241267R3	MPD780206GF-040	C114	354741009	10 μ F, 16V, Elect. <P>
Q708	22240239	TA7291S	C114	354744709	47 μ F, 16V, Elect. <D>
	Photo coupler		C116	354780109	1 μ F, 50V, Elect.
Q315	24120038	GPIF32T	C117,C138	353721019	100 μ F, 6.3V, Elect.
	Transistors		C120	374721044	0.1 μ F \pm 5%, 50V, Plastic <D>
Q101	2210746	2SC945A-P <P>	C132,C134	354780229	2.2 μ F, 50V, Elect.
Q102	2211723	2SC1923-O	C133	374723334	0.033 μ F \pm 5%, 50V, Plastic
Q105	221282	DTC144ES	C184,C190	374724724	4700pF \pm 5%, 50V, Plastic <P>
Q132	2213284 or	2SC1740S-R or	C185	374722234	0.022 μ F \pm 5%, 50V, Plastic <P>
	2212115	2SC2458-GR	C186	374724734	0.047 μ F \pm 5%, 50V, Plastic <P>
Q133	2212445	2SK365-GR	C187	354780229	2.2 μ F, 50V, Elect. <P>
Q134,Q205	2213510 or	DTA114ES or	C188,C189	374723324	3300pF \pm 5%, 50V, Plastic <P>
	2214350	RN2202	C192	354721019	100 μ F, 6.3V, Elect. <P>
Q172	2214603R2	2SC2714-O <P>	C201,C202	374721034	0.01 μ F \pm 5%, 50V, Plastic <P>
Q203,Q204	2212794	2SD1468-R	C201,C202	374721534	0.015 μ F \pm 5%, 50V, Plastic <D>
Q304	2211504	2SA950-Y	C203,C204	393341007	10 μ F, 16V, Elect.
Q312,Q313	2211504	2SA950-Y	C205,C206	393341007	10 μ F, 16V, Elect.
Q313	2211504	2SA950-Y	C207,C208	374722724	2700pF \pm 5%, 50V, Plastic
Q314,Q702	2214490R2	RN1404	C209,C304	393344707	47 μ F, 16V, Elect.
Q703	2214540R2	RN2403	C211	354780229	2.2 μ F, 50V, Elect.
	Diodes		C305,C320	393380107	1 μ F, 50V, Elect.
D101,D102	223234R2	1SS352	C310,C311	374721044	0.1 μ F \pm 5%, 50V, Plastic
D103	223234R2	1SS352 <D>	C315,C317	393321017	100 μ F, 6.3V, Elect.
D131	223234R2	1SS352	C321	374722244	0.22 μ F \pm 5%, 50V, Plastic
D181	223234R2	1SS352 <P>	C325	374723344	0.33 μ F \pm 5%, 50V, Plastic
D301,D302	223234R2	1SS352	C328,C330	355721019	100 μ F, 6.3V, Elect.
D701,D708	223234R2	1SS352	C332,C339	355721019	100 μ F, 6.3V, Elect.
D702	224490560R2	UDZ5.6B	C334	355744709	47 μ F, 16V, Elect.
D703-D706	223234R2	1SS352	C341,C343	393321017	100 μ F, 6.3V, Elect.
D707,D709	22380035	GP104003E	C345	393324717	470 μ F, 6.3V, Elect.
	Coils		C349	393342217	10 μ F, 16V, Elect.
L102	233383	NMC-6070 <P>	C351,C352	374721044	0.1 μ F \pm 5%, 50V, Plastic
L201,I202	233484	NMC-4085	C353,C354	393322217	220 μ F, 6.3V, Elect.
L301	231237K100R2	NCH-1475	C357	393380337	3.3 μ F, 50V, Elect.
	Ceramic filters		C372,C374	393321017	100 μ F, 6.3V, Elect.
X101	3010071	SFE-10.7MA5 RED	C702	3060029	NTC-30P25, Trimmer
X102	3010071	SFE-10.7MA5 RED <P>	C704	355780229	2.2 μ F, 50V, Elect.
X103	3010130	SFE10.7M22K <P>	C706	3000076T	EECS5R5T104, Super
	3010071	SFE-10.7MA5 RED <D>	C707,C708	393321017	100 μ F, 6.3V, Elect.
X104	3010258	CDA10.7MG60H15-A <P>	C709,C713	393321017	100 μ F, 6.3V, Elect.
	3010251	CDA10.7MG60K-A <D>	C710	355721019	100 μ F, 6.3V, Elect.
			C712,C716	393361017	100 μ F, 35V, Elect.

CIRCUIT NO.	PART NO.	DESCRIPTION
Resistors		
R101	5215046	N08HR50KBC,Trimming
R181	5215003	N08HR20KBC,Trimming <P>
Plugs		
P181	25055038	NPLG-2P29 <P>
P302	25055370	NPLG-6P353
P303	25055240	NPLG-9P224
P304	25055235	NPLG-4P219
P305	25055045	NPLG-4P33
P701	25055038	NPLG-2P29
P705B	25055367	NPLG-3P350
Sockets		
P201	2002390815	NSAS-8P0309
P301	25052136	NSCT-16P2034
P306A	2002391615	NSAS-16P0194
P411A	25051235	NSCT-10P1025
P412A	25051231	NSCT-6P1021
P704A	25050975 or 25050865	NSCT-35P762 or NSCT-35P660
Terminal		
P101	25060231	NTM-1PD153, Antenna
Shield plate		
TU001a	27150387	Front end

PREAMPLIFIER PC BOARD (NAAF-5990-2B/2C)

CIRCUIT NO.	PART NO.	DESCRIPTION
ICs		
Q401	22241072	TC9273N-007
Q431,Q522	22240273	NJM4565S-D
Transistors		
Q403-Q406	2213631 or	RN1241-A or
Q519,Q520	2213632	RN1241-B
Q481	2213510	DTA114ES
Q591	2213354	2SA933S-R
Q592	2213284	2SC1740S-R
Q593	2213510	DTA114ES
Diode		
D503	223163, 223205 or 223222	ISS133, ISS270A or WG713A
D901	22380048	RBA-402
Capacitors		
C431,C432	393341007	10 μ F, 16V, Elect.
C433,C434	374721824	1800pF \pm 5%, 50V, Plastic
C435,C436	374723924	3900pF \pm 5%, 50V, Plastic
C437,C438	374721824	1800pF \pm 5%, 50V, Plastic
C439,C440	374723624	3600pF \pm 5%, 50V, Plastic
C441,C442	374721824	1800pF \pm 5%, 50V, Plastic
C443,C444	374724714	470pF \pm 5%, 50V, Plastic
C445,C446	393341007	10 μ F, 16V, Elect.
C451-C454	393341007	10 μ F, 16V, Elect.
C481	393380107	1 μ F, 50V, Elect.
C525-C528	354781599	0.15 μ F, 50V, Elect.
C581	355721019	100 μ F, 6.3V, Elect.
C582,C583	393380107	1 μ F, 50V, Elect.
Resistor		
R425	5104338	NI6RQL100KBT25F, Variable

CIRCUIT NO.	PART NO.	DESCRIPTION
Terminals		
P401	25045300 or 25045458	NPJ-6PDBL159 or NPJ-6PDBL279
P402	25045305 25045303 or 25045460	NPJ-4PDBL164 <D> NPJ-4PDBL162 or NPJ-4PDBL281 <P>
P403	25045504	NPJ-1PDBL319
Plugs		
P411	25055706	NPLG-10P662
P412	25055702	NPLG-6P658
P413	25055708	NPLG-12P664

POWER SUPPLY PC BOARD (NAAF-5991-2B/2C)

CIRCUIT NO.	PART NO.	DESCRIPTION
ICs		
Q521	22240605	TC9184P
Q901	222780125NEC	MPC78M12HF(78M12HF)
Q903	222780095JRC	NJM78M09FA(78M09HF)
Q904	222780565JRC	NJM78M56FA(78M56)
Q905	222951	M51943B
Transistors		
Q501-Q504	2211733	2SC1845-E
Q505-Q508	2213284	2SC1740S-R
Q509-Q514	2211455	2SA1015-GR
Q515-Q518	2211255	2SC1815-GR
Q601	2212445	2SK365-GR
Q602	2213284	2SC1740S-R
Q603	2211504	2SA950-Y
Q902	2211455	2SA1015-GR
Diodes		
D491,D492	224470823	MTZJ8.2C
D501,D502	223163 or	ISS133 or
D601	223205 or 223222	ISS270A or WG713A
D911-D917	22380035 or 22380260	GP104003E or RLIN4003
D918	224452704	MTZ27D
D919,D920	224470512	MTZJ5.1B
Coils		
L401-L404	231126	NCH-1182
Fuse		
F901	252083	Δ 0.4A-SE-EAWK, Fuse <P>
	252158	Δ 1.6A-UL/T-237, Fuse <D>
Fuse holder		
F901a	25050065	Δ YSH403T
Capacitors		
C491,C492	393343317	330 μ F, 16V, Elect.
C501,C502	393341007	10 μ F, 16V, Elect.
C507,C508	393361017	100 μ F, 35V, Elect.
C511,C512	393322217	220 μ F, 6.3V, Elect.
C513,C514	374725624	5600pF \pm 5%, 50V, Plastic
C515,C516	374723334	0.033 μ F \pm 5%, 50V, Plastic
C517,C518	374721844	0.18 μ F \pm 5%, 50V, Plastic
C519,C520	374723334	0.033 μ F \pm 5%, 50V, Plastic
C521,C522	393380227	2.2 μ F, 50V, Elect.
C523,C524	393341007	10 μ F, 16V, Elect.
C539,C540	393322217	220 μ F, 6.3V, Elect.
C541,C542	393341007	10 μ F, 16V, Elect.

CIRCUIT NO.	PART NO.	DESCRIPTION
C601	354781009	10 μ F,50V,Elect.
C602	354764709	47 μ F,35V,Elect.
C902,C903	374721044	0.1 μ F \pm 5%,50V,Plastic
C904,C905	3504301	3300 μ F,35V,Elect.
C911	374721034	0.01 μ F \pm 5%,50V,Plastic
C912	354764709	47 μ F,35V,Elect.
C913	3504307	3900 μ F,25V,Elect.
C915,C917	393341007	10 μ F,16V,Elect.
C921	354764709	47 μ F,35V,Elect.
C922	354782219	220 μ F,50V,Elect.
C923	393361007	10 μ F,35V,Elect.
C924,C925	393361017	100 μ F,35V,Elect.
C928	393380107	1 μ F,50V,Elect.
Resistors		
R515-R522	443523904	39 Ω \pm 5%,1/2W,Metal oxide
R591,R592	443522204	22 Ω \pm 5%,1/2W,Metal oxide
R611	443522714	270 Ω \pm 5%,1/2W,Metal oxide
R901	453530824	8.2 Ω \pm 5%,1/2W,Metal
R911	453534794	0.47 Ω \pm 5%,1/2W,Metal
R917	453530104	1 Ω \pm 5%,1/2W,Metal <D>
R921,R926	453530224	2.2 Ω \pm 5%,1/2W,Metal
R922	443522704	27 Ω \pm 5%,1/2W,Metal oxide
R991	431533355	Δ 3.3M Ω ,1/2W,Solid <D>
Wire trap		
JL401b	25055628	NPLG-7P590
Socket		
JL503b	25050267	NSCT-3P95
P413a	25051237	NSCT-12P1027
Plugs		
P201a	25055148	NPLG-4P132
P306a	25055152	NPLG-8P136
P601a	25055099	NPLG-2P83
P771a,P908a	25055146	NPLG-2P130
P901a	25055676	Δ NPLG-2P632
P902a	25055675	Δ NPLG-2P631
P903a	25055135	NPLG-5P119
Screw		
E806	82143010	3P+10FN(BC),Pan head
Radiators		
Q903a	27160145	RAD-51
Q904a	27160176	

POWER AMPLIFIER PC BOARD (NAAF-5992-2B/2C)

CIRCUIT NO.	PART NO.	DESCRIPTION
Transistors		
Q551,Q552	2213284	2SC1740S-R
Q553,Q554	2211654 or 2211653	2SC2235-Y or 2SC2235-O
Q555,Q556	2211644 or 2211643	2SA965-Y or 2SA965-O
Q557,Q558	2202063, 2202064 or 2202066	* 2SC4511-O, * 2SC4511-Y or * 2SC4511-P
Q559,Q560	2202053, 2202054 or 2202056	* 2SA1725-O, * 2SA1725-Y or * 2SA1725-P

CIRCUIT NO.	PART NO.	DESCRIPTION
Coils		
L501,L502	231176SY	S-1.3C <P>
Capacitors		
C553,C554	393341007	10 μ F,16V,Elect.
C555,C556	374724734	0.047 μ F \pm 5%,50V,Plastic
Resistors		
R565,R566	443521014	100 Ω \pm 5%,1/2W,Metal oxide
R567,R568	4500027	0.22 Ω \pm 5%,2W,Metal plate
R571,R572	453530824	8.2 Ω \pm 5%,1/2W,Metal
R573,R574	453530564	5.6 Ω \pm 5%,1/2W,Metal <P>
Wire holders		
JL401a	25051091	NSCT-7P878
JL501a	25051088	NSCT-4P875
JL502a	25051089	NSCT-5P876
JL503a	25051107	NSCT-3P894

SPEAKER TERMINAL PC BOARD (NAETC-5993-2B/2C)

CIRCUIT NO.	PART NO.	DESCRIPTION
P501	25060245	NTM-4PDM165,Speaker terminal
JL502b	25055626	NPLG-5P588,Wire trap

DISPLAY CIRCUIT PC BOARD (NADIS-5994-2B/2C)

CIRCUIT NO.	PART NO.	DESCRIPTION
FL tube		
Q751	212141	10BT-167GK
IC		
Q771	222745955	74HC595P
Remote sensor		
Q752	24130011	PIC-12043TE2
L.E.Ds		
D771-D775	225320	SLR-342YY
Capacitors		
C772,C773	353721019	100 μ F,6.3V,Elect.
Sockets		
P704a	25050941 or 25050897	NSCT-35P728 or NSCT-35P692
P771	2002390415	NSAS-4P0191
Holders		
E701	27190943	(FL)
E771	27190998	(LED)

SWITCH CIRCUIT PC BOARD (NASW-5995-2B/2C)

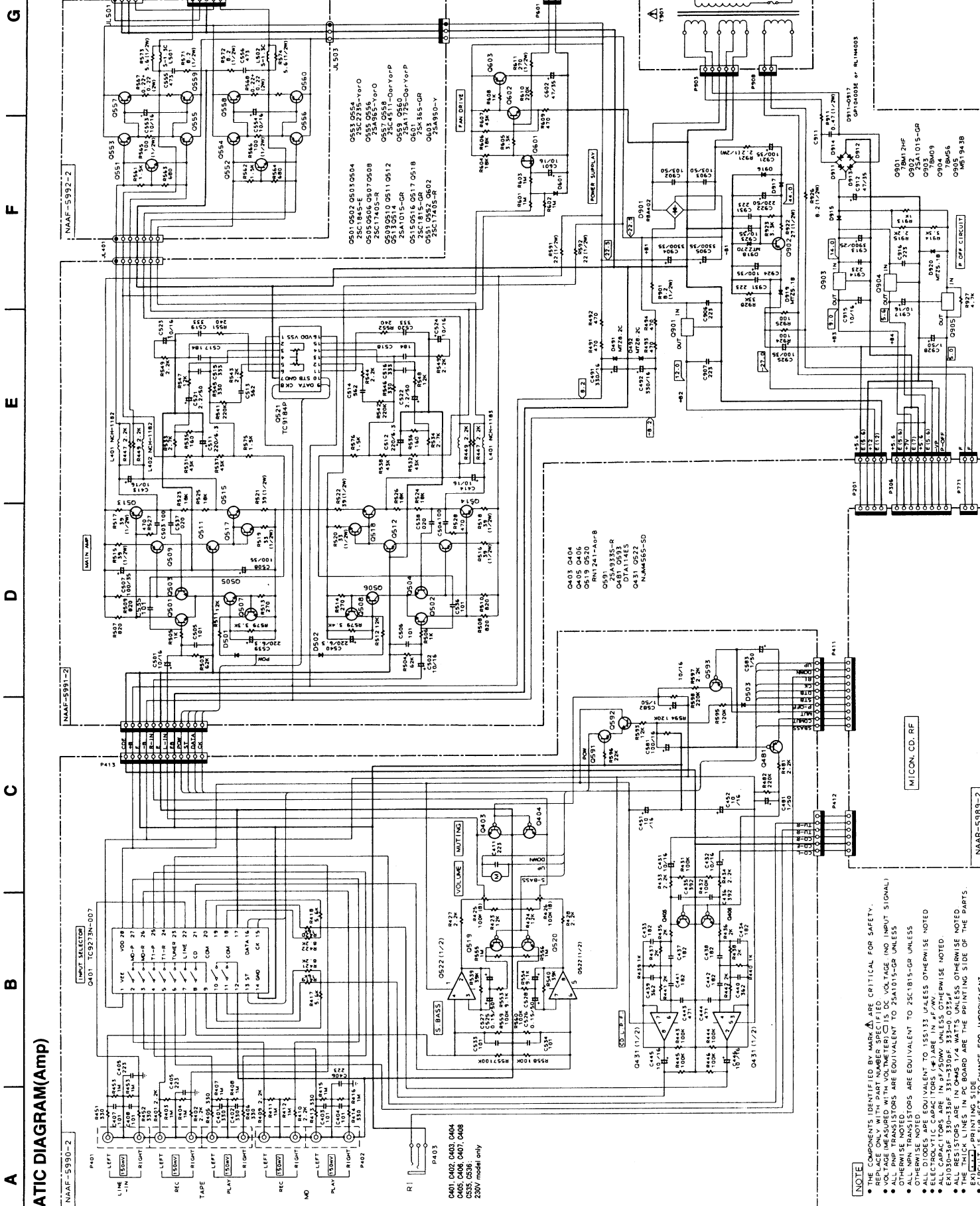
CIRCUIT NO.	PART NO.	DESCRIPTION
S781-S792	25035652	NPS-111-S604,Switch
P752	25045396	LGT1516-0101,Terminal
P705	2002320615	NSAS-6P0023,Socket
JL501b	25051088	NSCT-4P875,Wire holder

CAUTION : Replacement of the transistor of mark * , if necessary must be made from the same beta group (HFE) as the original type.

NOTE: <P>: 230V model only
<D>: 120V model only

NOTE : THE COMPONENTS IDENTIFIED BY MARK Δ ARE CRITICAL FOR RISK OF FIRE AND ELECTRIC SHOCK. REPLACE ONLY WITH PART NUMBER SPECIFIED.

SCHEMATIC DIAGRAM(Amp)



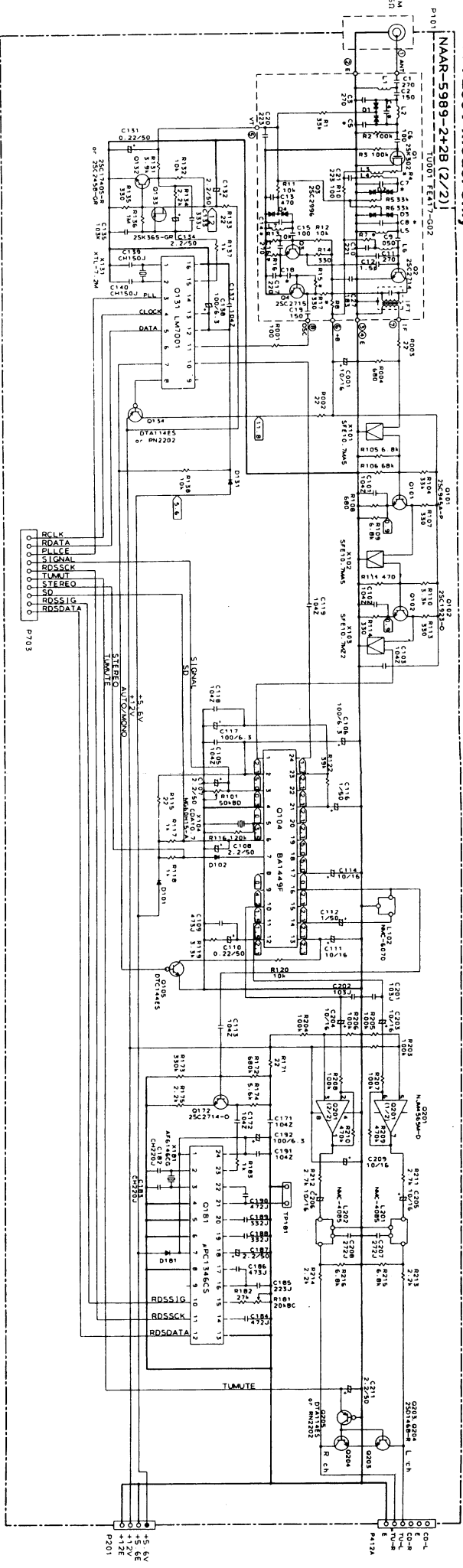
NAAF-5990-2
 P403
 Q401 6A80
 Q402 6A80
 Q403 6A80
 Q404 6A80
 Q405 6A80
 Q406 6A80
 Q407 6A80
 Q408 6A80
 Q409 6A80
 Q410 6A80
 Q411 6A80
 Q412 6A80
 Q413 6A80
 Q414 6A80
 Q415 6A80
 Q416 6A80
 Q417 6A80
 Q418 6A80
 Q419 6A80
 Q420 6A80
 Q421 6A80
 Q422 6A80
 Q423 6A80
 Q424 6A80
 Q425 6A80
 Q426 6A80
 Q427 6A80
 Q428 6A80
 Q429 6A80
 Q430 6A80
 Q431 6A80
 Q432 6A80
 Q433 6A80
 Q434 6A80
 Q435 6A80
 Q436 6A80
 Q437 6A80
 Q438 6A80
 Q439 6A80
 Q440 6A80
 Q441 6A80
 Q442 6A80
 Q443 6A80
 Q444 6A80
 Q445 6A80
 Q446 6A80
 Q447 6A80
 Q448 6A80
 Q449 6A80
 Q450 6A80
 Q451 6A80
 Q452 6A80
 Q453 6A80
 Q454 6A80
 Q455 6A80
 Q456 6A80
 Q457 6A80
 Q458 6A80
 Q459 6A80
 Q460 6A80
 Q461 6A80
 Q462 6A80
 Q463 6A80
 Q464 6A80
 Q465 6A80
 Q466 6A80
 Q467 6A80
 Q468 6A80
 Q469 6A80
 Q470 6A80
 Q471 6A80
 Q472 6A80
 Q473 6A80
 Q474 6A80
 Q475 6A80
 Q476 6A80
 Q477 6A80
 Q478 6A80
 Q479 6A80
 Q480 6A80
 Q481 6A80
 Q482 6A80
 Q483 6A80
 Q484 6A80
 Q485 6A80
 Q486 6A80
 Q487 6A80
 Q488 6A80
 Q489 6A80
 Q490 6A80
 Q491 6A80
 Q492 6A80
 Q493 6A80
 Q494 6A80
 Q495 6A80
 Q496 6A80
 Q497 6A80
 Q498 6A80
 Q499 6A80
 Q500 6A80
 Q501 6A80
 Q502 6A80
 Q503 6A80
 Q504 6A80
 Q505 6A80
 Q506 6A80
 Q507 6A80
 Q508 6A80
 Q509 6A80
 Q510 6A80
 Q511 6A80
 Q512 6A80
 Q513 6A80
 Q514 6A80
 Q515 6A80
 Q516 6A80
 Q517 6A80
 Q518 6A80
 Q519 6A80
 Q520 6A80
 Q521 6A80
 Q522 6A80
 Q523 6A80
 Q524 6A80
 Q525 6A80
 Q526 6A80
 Q527 6A80
 Q528 6A80
 Q529 6A80
 Q530 6A80
 Q531 6A80
 Q532 6A80
 Q533 6A80
 Q534 6A80
 Q535 6A80
 Q536 6A80
 Q537 6A80
 Q538 6A80
 Q539 6A80
 Q540 6A80
 Q541 6A80
 Q542 6A80
 Q543 6A80
 Q544 6A80
 Q545 6A80
 Q546 6A80
 Q547 6A80
 Q548 6A80
 Q549 6A80
 Q550 6A80
 Q551 6A80
 Q552 6A80
 Q553 6A80
 Q554 6A80
 Q555 6A80
 Q556 6A80
 Q557 6A80
 Q558 6A80
 Q559 6A80
 Q560 6A80
 Q561 6A80
 Q562 6A80
 Q563 6A80
 Q564 6A80
 Q565 6A80
 Q566 6A80
 Q567 6A80
 Q568 6A80
 Q569 6A80
 Q570 6A80
 Q571 6A80
 Q572 6A80
 Q573 6A80
 Q574 6A80
 Q575 6A80
 Q576 6A80
 Q577 6A80
 Q578 6A80
 Q579 6A80
 Q580 6A80
 Q581 6A80
 Q582 6A80
 Q583 6A80
 Q584 6A80
 Q585 6A80
 Q586 6A80
 Q587 6A80
 Q588 6A80
 Q589 6A80
 Q590 6A80
 Q591 6A80
 Q592 6A80
 Q593 6A80
 Q594 6A80
 Q595 6A80
 Q596 6A80
 Q597 6A80
 Q598 6A80
 Q599 6A80
 Q600 6A80
 Q601 6A80
 Q602 6A80
 Q603 6A80
 Q604 6A80
 Q605 6A80
 Q606 6A80
 Q607 6A80
 Q608 6A80
 Q609 6A80
 Q610 6A80
 Q611 6A80
 Q612 6A80
 Q613 6A80
 Q614 6A80
 Q615 6A80
 Q616 6A80
 Q617 6A80
 Q618 6A80
 Q619 6A80
 Q620 6A80
 Q621 6A80
 Q622 6A80
 Q623 6A80
 Q624 6A80
 Q625 6A80
 Q626 6A80
 Q627 6A80
 Q628 6A80
 Q629 6A80
 Q630 6A80
 Q631 6A80
 Q632 6A80
 Q633 6A80
 Q634 6A80
 Q635 6A80
 Q636 6A80
 Q637 6A80
 Q638 6A80
 Q639 6A80
 Q640 6A80
 Q641 6A80
 Q642 6A80
 Q643 6A80
 Q644 6A80
 Q645 6A80
 Q646 6A80
 Q647 6A80
 Q648 6A80
 Q649 6A80
 Q650 6A80
 Q651 6A80
 Q652 6A80
 Q653 6A80
 Q654 6A80
 Q655 6A80
 Q656 6A80
 Q657 6A80
 Q658 6A80
 Q659 6A80
 Q660 6A80
 Q661 6A80
 Q662 6A80
 Q663 6A80
 Q664 6A80
 Q665 6A80
 Q666 6A80
 Q667 6A80
 Q668 6A80
 Q669 6A80
 Q670 6A80
 Q671 6A80
 Q672 6A80
 Q673 6A80
 Q674 6A80
 Q675 6A80
 Q676 6A80
 Q677 6A80
 Q678 6A80
 Q679 6A80
 Q680 6A80
 Q681 6A80
 Q682 6A80
 Q683 6A80
 Q684 6A80
 Q685 6A80
 Q686 6A80
 Q687 6A80
 Q688 6A80
 Q689 6A80
 Q690 6A80
 Q691 6A80
 Q692 6A80
 Q693 6A80
 Q694 6A80
 Q695 6A80
 Q696 6A80
 Q697 6A80
 Q698 6A80
 Q699 6A80
 Q700 6A80
 Q701 6A80
 Q702 6A80
 Q703 6A80
 Q704 6A80
 Q705 6A80
 Q706 6A80
 Q707 6A80
 Q708 6A80
 Q709 6A80
 Q710 6A80
 Q711 6A80
 Q712 6A80
 Q713 6A80
 Q714 6A80
 Q715 6A80
 Q716 6A80
 Q717 6A80
 Q718 6A80
 Q719 6A80
 Q720 6A80
 Q721 6A80
 Q722 6A80
 Q723 6A80
 Q724 6A80
 Q725 6A80
 Q726 6A80
 Q727 6A80
 Q728 6A80
 Q729 6A80
 Q730 6A80
 Q731 6A80
 Q732 6A80
 Q733 6A80
 Q734 6A80
 Q735 6A80
 Q736 6A80
 Q737 6A80
 Q738 6A80
 Q739 6A80
 Q740 6A80
 Q741 6A80
 Q742 6A80
 Q743 6A80
 Q744 6A80
 Q745 6A80
 Q746 6A80
 Q747 6A80
 Q748 6A80
 Q749 6A80
 Q750 6A80
 Q751 6A80
 Q752 6A80
 Q753 6A80
 Q754 6A80
 Q755 6A80
 Q756 6A80
 Q757 6A80
 Q758 6A80
 Q759 6A80
 Q760 6A80
 Q761 6A80
 Q762 6A80
 Q763 6A80
 Q764 6A80
 Q765 6A80
 Q766 6A80
 Q767 6A80
 Q768 6A80
 Q769 6A80
 Q770 6A80
 Q771 6A80
 Q772 6A80
 Q773 6A80
 Q774 6A80
 Q775 6A80
 Q776 6A80
 Q777 6A80
 Q778 6A80
 Q779 6A80
 Q780 6A80
 Q781 6A80
 Q782 6A80
 Q783 6A80
 Q784 6A80
 Q785 6A80
 Q786 6A80
 Q787 6A80
 Q788 6A80
 Q789 6A80
 Q790 6A80
 Q791 6A80
 Q792 6A80
 Q793 6A80
 Q794 6A80
 Q795 6A80
 Q796 6A80
 Q797 6A80
 Q798 6A80
 Q799 6A80
 Q800 6A80
 Q801 6A80
 Q802 6A80
 Q803 6A80
 Q804 6A80
 Q805 6A80
 Q806 6A80
 Q807 6A80
 Q808 6A80
 Q809 6A80
 Q810 6A80
 Q811 6A80
 Q812 6A80
 Q813 6A80
 Q814 6A80
 Q815 6A80
 Q816 6A80
 Q817 6A80
 Q818 6A80
 Q819 6A80
 Q820 6A80
 Q821 6A80
 Q822 6A80
 Q823 6A80
 Q824 6A80
 Q825 6A80
 Q826 6A80
 Q827 6A80
 Q828 6A80
 Q829 6A80
 Q830 6A80
 Q831 6A80
 Q832 6A80
 Q833 6A80
 Q834 6A80
 Q835 6A80
 Q836 6A80
 Q837 6A80
 Q838 6A80
 Q839 6A80
 Q840 6A80
 Q841 6A80
 Q842 6A80
 Q843 6A80
 Q844 6A80
 Q845 6A80
 Q846 6A80
 Q847 6A80
 Q848 6A80
 Q849 6A80
 Q850 6A80
 Q851 6A80
 Q852 6A80
 Q853 6A80
 Q854 6A80
 Q855 6A80
 Q856 6A80
 Q857 6A80
 Q858 6A80
 Q859 6A80
 Q860 6A80
 Q861 6A80
 Q862 6A80
 Q863 6A80
 Q864 6A80
 Q865 6A80
 Q866 6A80
 Q867 6A80
 Q868 6A80
 Q869 6A80
 Q870 6A80
 Q871 6A80
 Q872 6A80
 Q873 6A80
 Q874 6A80
 Q875 6A80
 Q876 6A80
 Q877 6A80
 Q878 6A80
 Q879 6A80
 Q880 6A80
 Q881 6A80
 Q882 6A80
 Q883 6A80
 Q884 6A80
 Q885 6A80
 Q886 6A80
 Q887 6A80
 Q888 6A80
 Q889 6A80
 Q890 6A80
 Q891 6A80
 Q892 6A80
 Q893 6A80
 Q894 6A80
 Q895 6A80
 Q896 6A80
 Q897 6A80
 Q898 6A80
 Q899 6A80
 Q900 6A80
 Q901 6A80
 Q902 6A80
 Q903 6A80
 Q904 6A80
 Q905 6A80
 Q906 6A80
 Q907 6A80
 Q908 6A80
 Q909 6A80
 Q910 6A80
 Q911 6A80
 Q912 6A80
 Q913 6A80
 Q914 6A80
 Q915 6A80
 Q916 6A80
 Q917 6A80
 Q918 6A80
 Q919 6A80
 Q920 6A80
 Q921 6A80
 Q922 6A80
 Q923 6A80
 Q924 6A80
 Q925 6A80
 Q926 6A80
 Q927 6A80
 Q928 6A80
 Q929 6A80
 Q930 6A80
 Q931 6A80
 Q932 6A80
 Q933 6A80
 Q934 6A80
 Q935 6A80
 Q936 6A80
 Q937 6A80
 Q938 6A80
 Q939 6A80
 Q940 6A80
 Q941 6A80
 Q942 6A80
 Q943 6A80
 Q944 6A80
 Q945 6A80
 Q946 6A80
 Q947 6A80
 Q948 6A80
 Q949 6A80
 Q950 6A80
 Q951 6A80
 Q952 6A80
 Q953 6A80
 Q954 6A80
 Q955 6A80
 Q956 6A80
 Q957 6A80
 Q958 6A80
 Q959 6A80
 Q960 6A80
 Q961 6A80
 Q962 6A80
 Q963 6A80
 Q964 6A80
 Q965 6A80
 Q966 6A80
 Q967 6A80
 Q968 6A80
 Q969 6A80
 Q970 6A80
 Q971 6A80
 Q972 6A80
 Q973 6A80
 Q974 6A80
 Q975 6A80
 Q976 6A80
 Q977 6A80
 Q978 6A80
 Q979 6A80
 Q980 6A80
 Q981 6A80
 Q982 6A80
 Q983 6A80
 Q984 6A80
 Q985 6A80
 Q986 6A80
 Q987 6A80
 Q988 6A80
 Q989 6A80
 Q990 6A80
 Q991 6A80
 Q992 6A80
 Q993 6A80
 Q994 6A80
 Q995 6A80
 Q996 6A80
 Q997 6A80
 Q998 6A80
 Q999 6A80
 Q1000 6A80

NOTE

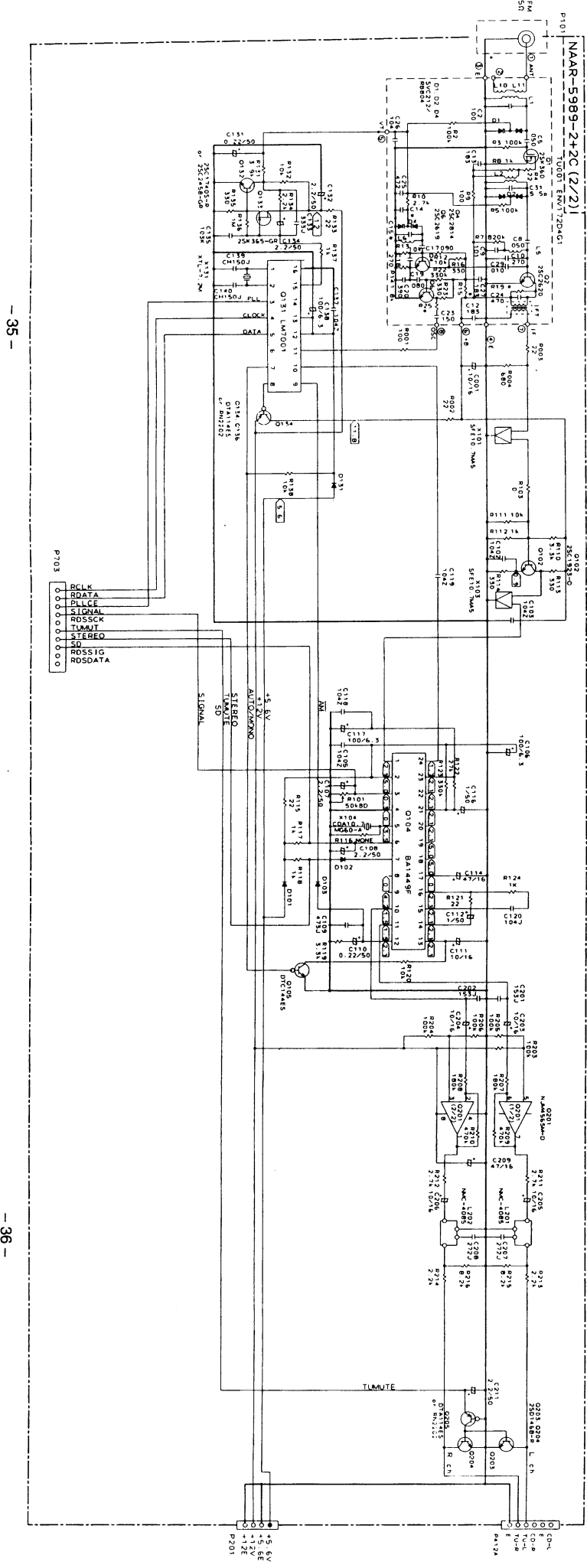
- THE COMPONENTS IDENTIFIED BY MARK ARE CRITICAL FOR SAFETY.
- REPLACE ONLY WITH PART NUMBER SPECIFIED.
- ALL PNP TRANSISTORS ARE EQUIVALENT TO 2SA1015-GR UNLESS OTHERWISE NOTED.
- ALL NPN TRANSISTORS ARE EQUIVALENT TO 2SC1815-GR UNLESS OTHERWISE NOTED.
- ALL DIODES ARE EQUIVALENT TO 1S5133 UNLESS OTHERWISE NOTED.
- ELECTROLYTIC CAPACITORS (E) ARE IN μ F/WV.
- CAPACITORS ARE IN PFD/50WV UNLESS OTHERWISE NOTED.
- ALL RESISTORS ARE IN OHMS 1/4 WATT UNLESS OTHERWISE NOTED.
- THE THICK LINES IN PC BOARD ARE THE PRINTING SIDE OF THE PARTS.
- PRINTING INC. SIDE
- CIRCUIT IS SUBJECT TO CHANGE FOR IMPROVEMENT.

SCHEMATIC DIAGRAM(TU)

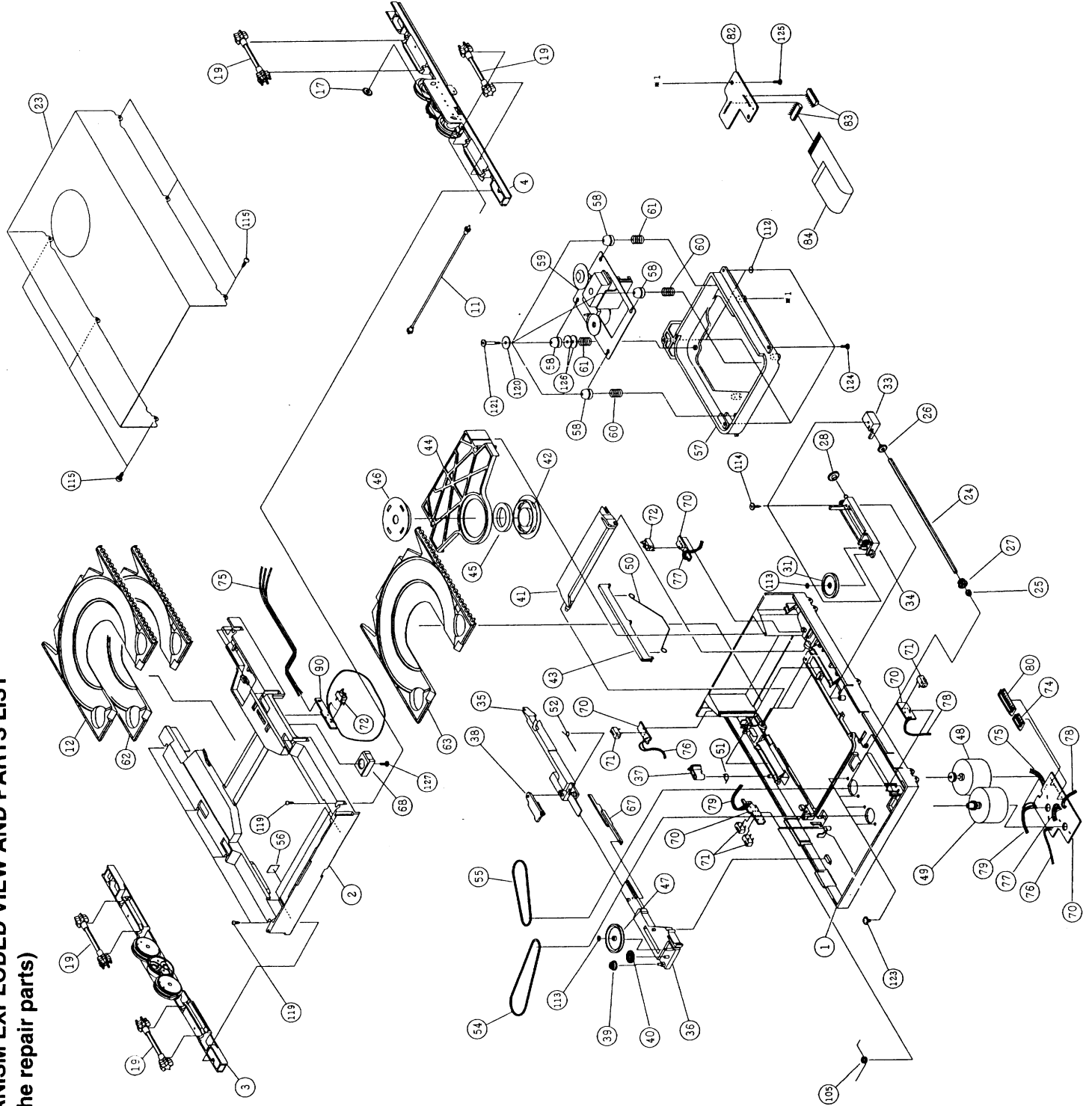
<P>: 230V model only



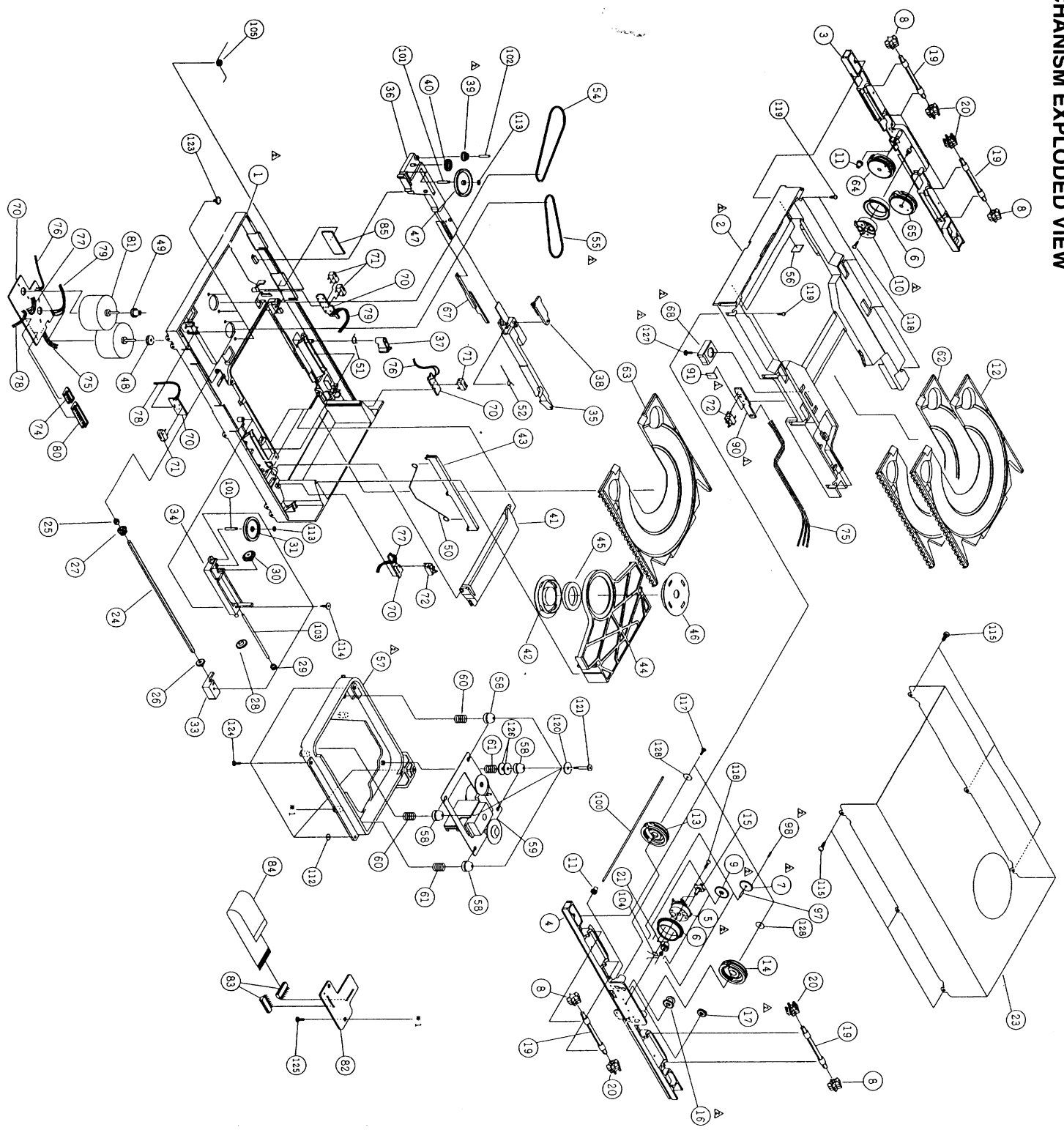
<D>: 120V model only



MECHANISM EXPLODED VIEW AND PARTS LIST
Parts for the repair parts



REF.NO	PART.NO.	DESCRIPTION	NOTE
1	45-093-4160	Chassis 2 assembly	
2	45-264-4159	Tray	
3	45-093-4088	Holder L assembly	
4	45-093-3249	Holder R3 assembly	
11	45-093-4075	Drive gear assembly	
12	45-264-1109F	Carriage 10	
17	45-222-4214	Vevel gear 4	
19	45-093-4084	Star gear assembly	
23	45-112-2001	Cover	
24	45-300-4018	Shaft	
25	45-262-4019	Cap	
26	45-222-4021	Gear spline	
27	45-222-4059	Vevel gear 1	
28	45-222-4026	Idler gear 1	
31	45-222-4058	Pulley C	
33	45-219-4062	Holder 2	
34	45-093-4076	Holder 1 assembly	
35	45-259-2031	Slider 1	
36	45-093-4091	Slider 2 assembly	
37	45-239-4064	Arm stopper A	
38	45-239-4065	Arm stopper B	
39	45-222-4128	Idler gear A	
40	45-222-4051	Idler gear C	
41	45-259-3008	Lever	
42	45-229-3024	Clamper A	
43	45-259-3025	Lifter	
44	45-239-1037	Arm	
45	36-067-4928	Magnet	
46	45-229-3069	Clamper B	
47	45-222-4052	Pulley A	
48	45-093-4162	Carriage motor 2 assembly	
49	45-093-4163	Tray motor 2 assembly	
50	01-000-4541	Spring	
51	01-082-4538	Spring	
52	01-082-4559	Spring	
54	02-083-4167	Belt	
55	02-083-4174	Belt	
56	45-063-4136	Cushion	
57	45-211-3072	Frame S	
58	45-063-4072	Rubber cushion	
59	2480017Y	Drive unit	
60	01-081-4561	Spring	
61	01-081-4562	Spring	
62	45-264-1110F	Carriage 20	
63	45-264-1111F	Carriage 30	
67	45-219-4107	Plate E	
68	45-219-4127	Spacer switch	
70	45-070-3151	PC board	
71	MPU1010MMB0	Switch	
72	MPU20273BLB0	Switch	
74	S4BEH	Connector	
75		Lead wire	
76		Lead wire	
77		Lead wire	
78		Lead wire	
79		Lead wire	
80	S9BEH	Connector	
82	45-070-4155	PC board	
83	16FMINSTRK	Connector	
84	45-072-4083	Flat cable	
90	45-093-4269	ASSY PC board	
105	01-082-4577	Spring	
112	GWP23X055025	Flat washer	
113	GWP15X045025S	Washer	
114	GSL20A2010	Screw	
115	GSL20A2606	Screw	
119	GSL10B2006	Screw	
120	GSN31X120050	Flat washer	
121	03-300-4366	Screw	
123	GSP14A2604	Screw	
124	GSL20A2610	Screw	
125	GSL15A2006	Screw	
126	03-000-4427	Flat washer	
127	GST15A2005	Screw	



- | REF. NO. | DESCRIPTION |
|----------|--------------------|
| 1 | CHASSIS 2 |
| 2 | CHASSIS 2 |
| 3 | HOLDER L |
| 4 | HOLDER R |
| 5 | SUPPORT GEAR R |
| 6 | SUPPORT GEAR L |
| 7 | GEAR RING |
| 8 | GEAR INDEX 6 |
| 9 | GEAR STAR A |
| 10 | GEAR STAR B |
| 11 | SUPPORT GEAR L |
| 12 | GEAR DRIVE |
| 13 | GEAR IDLER 10 |
| 14 | CAM R |
| 15 | CAM RR2 |
| 16 | PINION |
| 17 | GEAR IDLER B3 |
| 18 | BEVEL GEAR 4 |
| 19 | GEAR STAR B |
| 20 | GEAR STAR C |
| 21 | GEAR PINION 3 |
| 22 | COVER |
| 23 | SHAFT |
| 24 | CAP |
| 25 | CAP |
| 26 | GEAR SPLINE |
| 27 | BEVEL GEAR 1 |
| 28 | GEAR IDLER 1 |
| 29 | GEAR IDLER 3 |
| 30 | BEVEL GEAR 3 |
| 31 | PULLEY C |
| 32 | PULLEY A |
| 33 | HOLDER 2 |
| 34 | HOLDER 1 |
| 35 | SLIDER 1 |
| 36 | SLIDER 2 |
| 37 | ARM STOPPER A |
| 38 | ARM STOPPER B |
| 39 | GEAR IDLER A |
| 40 | GEAR IDLER C |
| 41 | LEVER |
| 42 | CLAMPER A |
| 43 | LEFTER |
| 44 | ARM |
| 45 | MAGNET |
| 46 | CLAMPER B |
| 47 | PULLEY A |
| 48 | PULLEY MOTOR |
| 49 | PULLEY MOTOR |
| 50 | SPRING |
| 51 | SPRING |
| 52 | SPRING |
| 53 | SPRING |
| 54 | BELT |
| 55 | BELT |
| 56 | CUSHION |
| 57 | FRAME'S CUSHION 50 |
| 58 | RUBBER P UNIT |
| 59 | RUBBER P UNIT |
| 60 | SPRING |
| 61 | SPRING |
| 62 | CARRIAGE 20 |
| 63 | CARRIAGE 30 |
| 64 | CAM LR |
| 65 | CAM LR |
| 66 | PLATE F |
| 67 | SPACER SW |
| 68 | SPACER SW |
| 69 | PCB |
| 70 | PCB |
| 71 | PCB |
| 72 | PCB |
| 73 | PCB |
| 74 | PCB |
| 75 | PCB |
| 76 | PCB |
| 77 | PCB |
| 78 | PCB |
| 79 | PCB |
| 80 | PCB |
| 81 | PCB |
| 82 | PCB |
| 83 | PCB |
| 84 | PCB |
| 85 | PCB |
| 86 | PCB |
| 87 | PCB |
| 88 | PCB |
| 89 | PCB |
| 90 | PCB |
| 91 | PCB |
| 92 | PCB |
| 93 | PCB |
| 94 | PCB |
| 95 | PCB |
| 96 | PCB |
| 97 | PCB |
| 98 | PCB |
| 99 | PCB |
| 100 | PCB |
| 101 | PCB |
| 102 | PCB |
| 103 | PCB |
| 104 | PCB |
| 105 | PCB |
| 106 | PCB |
| 107 | PCB |
| 108 | PCB |
| 109 | PCB |
| 110 | PCB |
| 111 | PCB |
| 112 | PCB |
| 113 | PCB |
| 114 | PCB |
| 115 | PCB |
| 116 | PCB |
| 117 | PCB |
| 118 | PCB |
| 119 | PCB |
| 120 | PCB |
| 121 | PCB |
| 122 | PCB |
| 123 | PCB |
| 124 | PCB |
| 125 | PCB |
| 126 | PCB |
| 127 | PCB |
| 128 | PCB |
| 129 | PCB |
| 130 | PCB |
| 131 | PCB |
| 132 | PCB |
| 133 | PCB |
| 134 | PCB |
| 135 | PCB |
| 136 | PCB |
| 137 | PCB |
| 138 | PCB |
| 139 | PCB |
| 140 | PCB |
| 141 | PCB |
| 142 | PCB |
| 143 | PCB |
| 144 | PCB |
| 145 | PCB |
| 146 | PCB |
| 147 | PCB |
| 148 | PCB |
| 149 | PCB |
| 150 | PCB |
| 151 | PCB |
| 152 | PCB |
| 153 | PCB |
| 154 | PCB |
| 155 | PCB |
| 156 | PCB |
| 157 | PCB |
| 158 | PCB |
| 159 | PCB |
| 160 | PCB |
| 161 | PCB |
| 162 | PCB |
| 163 | PCB |
| 164 | PCB |
| 165 | PCB |
| 166 | PCB |
| 167 | PCB |
| 168 | PCB |
| 169 | PCB |
| 170 | PCB |
| 171 | PCB |
| 172 | PCB |
| 173 | PCB |
| 174 | PCB |
| 175 | PCB |
| 176 | PCB |
| 177 | PCB |
| 178 | PCB |
| 179 | PCB |
| 180 | PCB |
| 181 | PCB |
| 182 | PCB |
| 183 | PCB |
| 184 | PCB |
| 185 | PCB |
| 186 | PCB |
| 187 | PCB |
| 188 | PCB |
| 189 | PCB |
| 190 | PCB |
| 191 | PCB |
| 192 | PCB |
| 193 | PCB |
| 194 | PCB |
| 195 | PCB |
| 196 | PCB |
| 197 | PCB |
| 198 | PCB |
| 199 | PCB |
| 200 | PCB |
| 201 | PCB |
| 202 | PCB |
| 203 | PCB |
| 204 | PCB |
| 205 | PCB |
| 206 | PCB |
| 207 | PCB |
| 208 | PCB |
| 209 | PCB |
| 210 | PCB |
| 211 | PCB |
| 212 | PCB |
| 213 | PCB |
| 214 | PCB |
| 215 | PCB |
| 216 | PCB |
| 217 | PCB |
| 218 | PCB |
| 219 | PCB |
| 220 | PCB |
| 221 | PCB |
| 222 | PCB |
| 223 | PCB |
| 224 | PCB |
| 225 | PCB |
| 226 | PCB |
| 227 | PCB |
| 228 | PCB |
| 229 | PCB |
| 230 | PCB |
| 231 | PCB |
| 232 | PCB |
| 233 | PCB |
| 234 | PCB |
| 235 | PCB |
| 236 | PCB |
| 237 | PCB |
| 238 | PCB |
| 239 | PCB |
| 240 | PCB |
| 241 | PCB |
| 242 | PCB |
| 243 | PCB |
| 244 | PCB |
| 245 | PCB |
| 246 | PCB |
| 247 | PCB |
| 248 | PCB |
| 249 | PCB |
| 250 | PCB |
| 251 | PCB |
| 252 | PCB |
| 253 | PCB |
| 254 | PCB |
| 255 | PCB |
| 256 | PCB |
| 257 | PCB |
| 258 | PCB |
| 259 | PCB |
| 260 | PCB |
| 261 | PCB |
| 262 | PCB |
| 263 | PCB |
| 264 | PCB |
| 265 | PCB |
| 266 | PCB |
| 267 | PCB |
| 268 | PCB |
| 269 | PCB |
| 270 | PCB |
| 271 | PCB |
| 272 | PCB |
| 273 | PCB |
| 274 | PCB |
| 275 | PCB |
| 276 | PCB |
| 277 | PCB |
| 278 | PCB |
| 279 | PCB |
| 280 | PCB |
| 281 | PCB |
| 282 | PCB |
| 283 | PCB |
| 284 | PCB |
| 285 | PCB |
| 286 | PCB |
| 287 | PCB |
| 288 | PCB |
| 289 | PCB |
| 290 | PCB |
| 291 | PCB |
| 292 | PCB |
| 293 | PCB |
| 294 | PCB |
| 295 | PCB |
| 296 | PCB |
| 297 | PCB |
| 298 | PCB |
| 299 | PCB |
| 300 | PCB |
| 301 | PCB |
| 302 | PCB |
| 303 | PCB |
| 304 | PCB |
| 305 | PCB |
| 306 | PCB |
| 307 | PCB |
| 308 | PCB |
| 309 | PCB |
| 310 | PCB |
| 311 | PCB |
| 312 | PCB |
| 313 | PCB |
| 314 | PCB |
| 315 | PCB |
| 316 | PCB |
| 317 | PCB |
| 318 | PCB |
| 319 | PCB |
| 320 | PCB |
| 321 | PCB |
| 322 | PCB |
| 323 | PCB |
| 324 | PCB |
| 325 | PCB |
| 326 | PCB |
| 327 | PCB |
| 328 | PCB |
| 329 | PCB |
| 330 | PCB |
| 331 | PCB |
| 332 | PCB |
| 333 | PCB |
| 334 | PCB |
| 335 | PCB |
| 336 | PCB |
| 337 | PCB |
| 338 | PCB |
| 339 | PCB |
| 340 | PCB |
| 341 | PCB |
| 342 | PCB |
| 343 | PCB |
| 344 | PCB |
| 345 | PCB |
| 346 | PCB |
| 347 | PCB |
| 348 | PCB |
| 349 | PCB |
| 350 | PCB |
| 351 | PCB |
| 352 | PCB |
| 353 | PCB |
| 354 | PCB |
| 355 | PCB |
| 356 | PCB |
| 357 | PCB |
| 358 | PCB |
| 359 | PCB |
| 360 | PCB |
| 361 | PCB |
| 362 | PCB |
| 363 | PCB |
| 364 | PCB |
| 365 | PCB |
| 366 | PCB |
| 367 | PCB |
| 368 | PCB |
| 369 | PCB |
| 370 | PCB |
| 371 | PCB |
| 372 | PCB |
| 373 | PCB |
| 374 | PCB |
| 375 | PCB |
| 376 | PCB |
| 377 | PCB |
| 378 | PCB |
| 379 | PCB |
| 380 | PCB |
| 381 | PCB |
| 382 | PCB |
| 383 | PCB |
| 384 | PCB |
| 385 | PCB |
| 386 | PCB |
| 387 | PCB |
| 388 | PCB |
| 389 | PCB |
| 390 | PCB |
| 391 | PCB |
| 392 | PCB |
| 393 | PCB |
| 394 | PCB |
| 395 | PCB |
| 396 | PCB |
| 397 | PCB |
| 398 | PCB |
| 399 | PCB |
| 400 | PCB |
| 401 | PCB |
| 402 | PCB |
| 403 | PCB |
| 404 | PCB |
| 405 | PCB |
| 406 | PCB |
| 407 | PCB |
| 408 | PCB |
| 409 | PCB |
| 410 | PCB |
| 411 | PCB |
| 412 | PCB |
| 413 | PCB |
| 414 | PCB |
| 415 | PCB |
| 416 | PCB |
| 417 | PCB |
| 418 | PCB |
| 419 | PCB |
| 420 | PCB |
| 421 | PCB |
| 422 | PCB |
| 423 | PCB |
| 424 | PCB |
| 425 | PCB |
| 426 | PCB |
| 427 | PCB |
| 428 | PCB |
| 429 | PCB |
| 430 | PCB |
| 431 | PCB |
| 432 | PCB |
| 433 | PCB |
| 434 | PCB |
| 435 | PCB |
| 436 | PCB |
| 437 | PCB |
| 438 | PCB |
| 439 | PCB |
| 440 | PCB |
| 441 | PCB |
| 442 | PCB |
| 443 | PCB |
| 444 | PCB |
| 445 | PCB |
| 446 | PCB |
| 447 | PCB |
| 448 | PCB |
| 449 | PCB |
| 450 | PCB |
| 451 | PCB |
| 452 | PCB |
| 453 | PCB |
| 454 | PCB |
| 455 | PCB |
| 456 | PCB |
| 457 | PCB |
| 458 | PCB |
| 459 | PCB |
| 460 | PCB |
| 461 | PCB |
| 462 | PCB |
| 463 | PCB |
| 464 | PCB |
| 465 | PCB |
| 466 | PCB |
| 467 | PCB |
| 468 | PCB |
| 469 | PCB |
| 470 | PCB |
| 471 | PCB |
| 472 | PCB |
| 473 | PCB |
| 474 | PCB |
| 475 | PCB |
| 476 | PCB |
| 477 | PCB |
| 478 | PCB |
| 479 | PCB |
| 480 | PCB |
| 481 | PCB |
| 482 | PCB |
| 483 | PCB |
| 484 | PCB |
| 485 | PCB |
| 486 | PCB |
| 487 | PCB |
| 488 | PCB |
| 489 | PCB |
| 490 | PCB |
| 491 | PCB |
| 492 | PCB |
| 493 | PCB |
| 494 | PCB |
| 495 | PCB |
| 496 | PCB |
| 497 | PCB |
| 498 | PCB |
| 499 | PCB |
| 500 | PCB |
| 501 | PCB |
| 502 | PCB |
| 503 | PCB |
| 504 | PCB |
| 505 | PCB |
| 506 | PCB |
| 507 | PCB |
| 508 | PCB |
| 509 | PCB |
| 510 | PCB |
| 511 | PCB |
| 512 | PCB |
| 513 | PCB |
| 514 | PCB |
| 515 | PCB |
| 516 | PCB |
| 517 | PCB |
| 518 | PCB |
| 519 | PCB |
| 520 | PCB |
| 521 | PCB |
| 522 | PCB |
| 523 | PCB |
| 524 | PCB |
| 525 | PCB |
| 526 | PCB |
| 527 | PCB |
| 528 | PCB |
| 529 | PCB |
| 530 | PCB |
| 531 | PCB |
| 532 | PCB |
| 533 | PCB |
| 534 | PCB |
| 535 | PCB |
| 536 | PCB |
| 537 | PCB |
| 538 | PCB |
| 539 | PCB |
| 540 | PCB |
| 541 | PCB |
| 542 | PCB |
| 543 | PCB |
| 544 | PCB |
| 545 | PCB |
| 546 | PCB |
| 547 | PCB |
| 548 | PCB |
| 549 | PCB |
| 550 | PCB |
| 551 | PCB |
| 552 | PCB |
| 553 | PCB |
| 554 | PCB |
| 555 | PCB |
| 556 | PCB |
| 557 | PCB |
| 558 | PCB |
| 559 | PCB |
| 560 | PCB |
| 561 | PCB |
| 562 | PCB |
| 563 | PCB |
| 564 | PCB |
| 565 | PCB |
| 566 | PCB |
| 567 | PCB |
| 568 | PCB |
| 569 | PCB |
| 570 | PCB |
| 571 | PCB |
| 572 | PCB |
| 573 | PCB |
| 574 | PCB |
| 575 | PCB |
| 576 | PCB |
| 577 | PCB |
| 578 | PCB |
| 579 | PCB |
| 580 | PCB |
| 581 | PCB |
| 582 | PCB |
| 583 | PCB |
| 584 | PCB |
| 585 | PCB |
| 586 | PCB |
| 587 | PCB |
| 588 | PCB |
| 589 | PCB |
| 590 | PCB |
| 591 | PCB |
| 592 | PCB |
| 593 | PCB |
| 594 | PCB |
| 595 | PCB |
| 596 | PCB |
| 597 | PCB |
| 598 | PCB |
| 599 | PCB |
| 600 | PCB |
| 601 | PCB |
| 602 | PCB |
| 603 | PCB |
| 604 | PCB |
| 605 | PCB |
| 606 | PCB |
| | |

HOW TO DISMANTLE CD CHANGER MECHANISM

There are five parts, from A. to E.

A. How to remove CD Mechanism Assembly from unit:

1. Pull out Knob(VOL)(A57).
2. Remove five Screws(A45) from Top Cover(A44).
3. From the front remove one Screw(A3) which holding the Volume. When you remove Top Cover, pull Top Cover to behind as pushing down the front hooks which hold Front Panel.

Note :

- 1) In the Service Manual Screw(A3) is not included. (Screw drawing is only included.)
4. Turn the unit upside-down and short one point with solder from the Chassis hole. This point is marked with "S" on CD Mechanism PC Board. This is necessary to prevent Opt-pickup electrostatic damage. (See Fig. 1.)

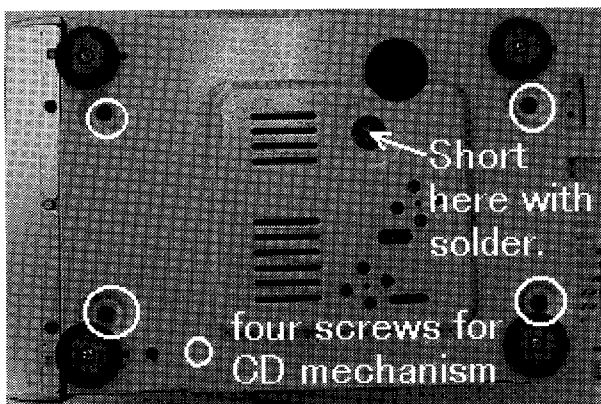


Fig. 1

5. Remove four Screws from Tuner Circuit PC Board, U1.
6. Remove Screws from Rear Panel(A151) as follows.
Two Screws for Antenna Terminal, One Screw for Optical Jack, Two Screws for Pin-jack and Four Screws for Rear Panel
Then remove two black Screws(A14) which are fixing Heat Sink. (See Fig. 2, 5.)

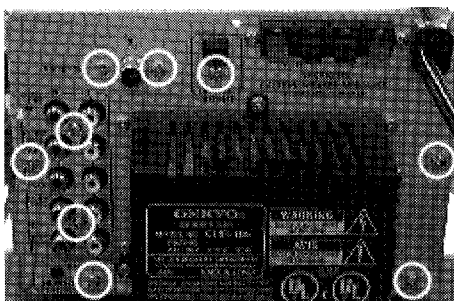


Fig. 2

7. Pull out three connectors(P302, P303, P304) which are located right in Tuner Circuit as seeing from behind and are connected from CD Mechanism(Z1). Remove Flexible Flat Cable(P301) from Tuner Circuit. (See Fig. 3)

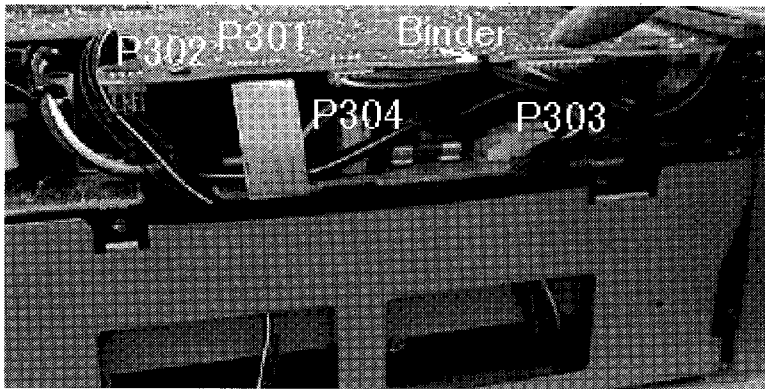


Fig. 3

8. 1) Pull out two Connectors(P411, P412) which are connecting U1, Tuner Circuit and U2, Pre-amp. Circuit, as pushing U1 to right. Then, as lifting the front part of U1 and pushing it to front, pull out Antennà Terminal part from Rear Panel.

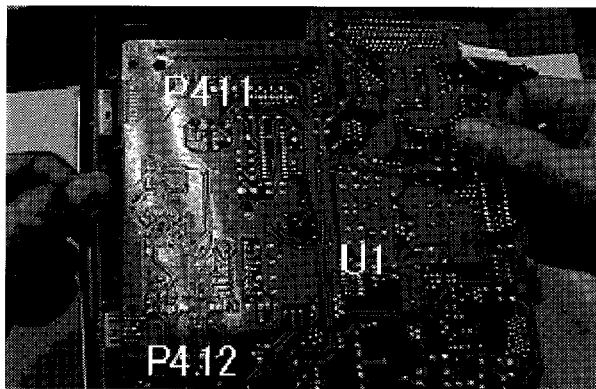


Fig. 4

- 2) As lifting Tuner Circuit pull out Flexible Cable Wire(P704) which is connected from Display Circuit, U6. Pull out four Connectors(P201, P306, P771, P705B) which are connected from U3, Power Supply Circuit and remove U3. (See Fig. 5.)

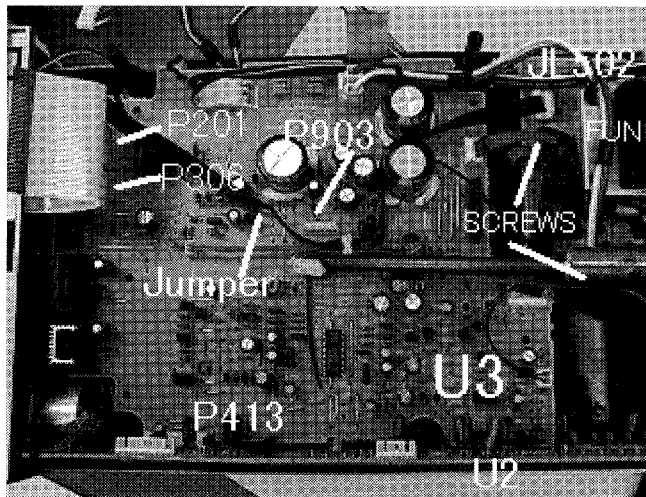


Fig. 5

9. Pull out Jumper Wire(JL502) from U4, Main-amp. Circuit.
10. 1) Remove three Screws from U3, Power Supply Circuit. (See Fig. 5.)
- 2) As lifting the right side of U3 from seeing from behind, remove one Connector(P413) from U2.

- 3) Remove two Screws(A19) from U4. As seeing from behind, one Screw at left side of Bracket(FU)(A18), one Screw at the front of U4.
11. As lifting Power Supply, U3 and Rear Panel block (with Bracket(PT)(A22)), bring these back until the bottom of Heat Sink comes over the Chassis end bent part. Then remove these with connecting wires out of the unit. (See Fig. 6.)

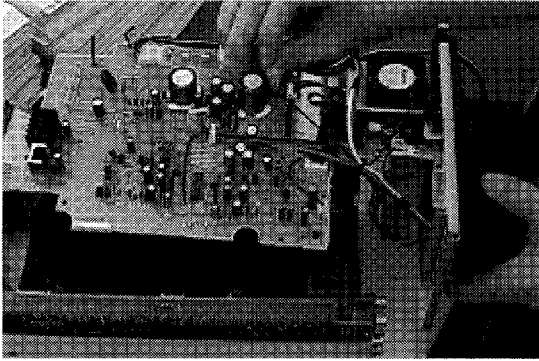


Fig. 6

12. Remove three Screws which is fixing Holder(MEC)(A7).(See Fig. 7.) When you remove Holder, it is easy to pull back it together with U2. (See Fig. 8.)

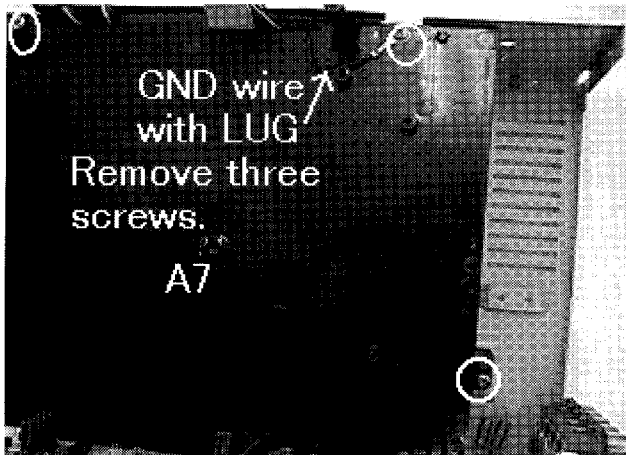


Fig. 7

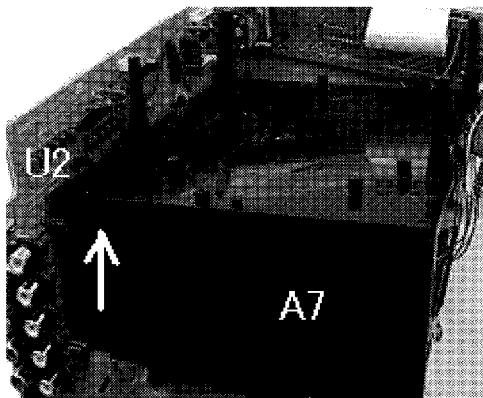


Fig. 8

13. As preparing one suitable table for putting CD Mechanism when the unit is turned over, turn the unit and remove four Screws(A5) and remove the CD Mechanism.
14. Pull up Door(A54) from CD Mechanism.
15. Remove one Screw which is fixing a Clamp beside CD Mechanism.
Turn CD Mechanism upside-down and remove three Connectors(P302, P303, P304) and one Flexible Flat Cable(P301) from CD Mechanism PC Board.

B. How to dismantle CD Changer Mechanism:

When replacing the optical pickup, first short the pattern on the CD Pick Up PC Board. (See Fig.1) Short the pattern for electrostatic protection on the CD Pick Up PC board before removing the flexible flat cable from it. After soldering, remove the flexible flat cable from the CD Pick Up PC Board.

When replacing mechanism parts, do as follows:

First short the pattern with "S" for electrostatic protection on U-shaped CD mechanism PC Board.(Short from the bottom chassis hole.)(See Fig.9, Fig.10.)

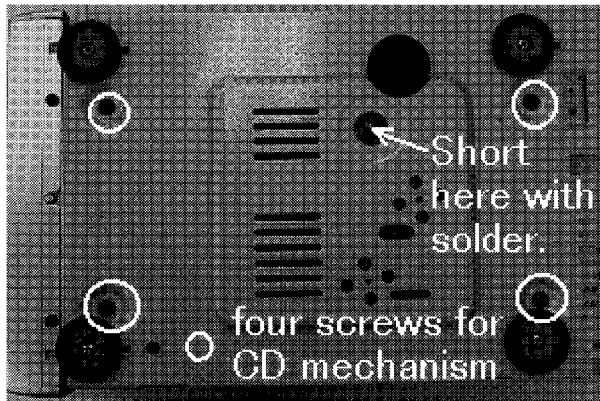


Fig.9

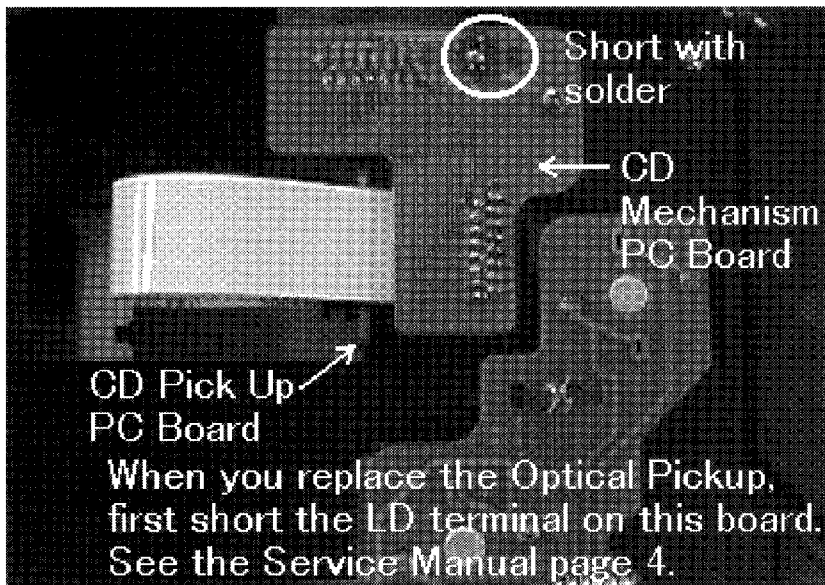


Fig.10

C. How to remove the Drawer block:

1. This is the normal way. (See pages 39 and 40 in the Service Manual.)

- 1) Remove 6 SCREWS(115) from COVER(23).
 - 2) Turn PULLEY B(49)anti-clockwise and pull DRAWER(2) block. The DRAWER block is easily pulled out.(See Fig.11)
- You can remove the lock of DRAWER by doing so.

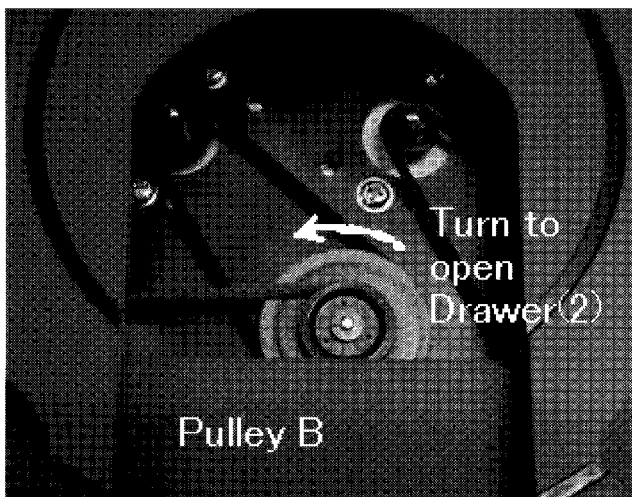


Fig.11

- 3) After pulling out DRAWER block until around its half, divide CHASSIS(1) block hooks which fixing DRAWER block from the two points of left side then the right two with a minus(-) shaped driver or fingers.(See Fig. 12)(Because gears gang together inside at the right side.) With holding DRAWER block .

Notes: In this case, please note that GEAR IDLER 2(with BEVEL GEAR) and GEAR IDLER A are lost easily.



Fig.12

2. This is the way when Carriages are jammed inside.

- 1) Remove 6 SCREWS(115) from COVER(23).
- 2) Divide CHSSIS(1) block hooks which fixing DRAWER(2) block from the two points of Left side then the right two with a minus(-) shaped driver or with fingers as like as below..(Because gears gang together inside at the right side.) With holding DRAWER block .

D. How to remove CARRIAGES?

How to remove CARRIAGES 10, 20 or 30(Carriage number changes with chances of Disk stopping) from CHASSIS(1).

- 1) Slide SLIDER 2(36) block inside and make the pin locked at inner-most of SLIDER 2 with ARM STOPPER B(38).

- 2) Then, slide SLIDER 2(36) outside.
- 3) By sliding SLIDER 2, ARM(44) moves up and it is locked.
- 4) Then **CARRIAGE** are unlocked and are easily removed outside.

Note : How to distinguish **CARRIAGES 10, 20 or 30.**(See Fig.13)

Turn **CARRIAGE** upside-down and you can see two posts for **CARRIAGE** number detection.

CARRIAGE 10 has one post at inside.

CARRIAGE 20 has one post at outside.

CARRIAGE 30 has two posts at the both sides.

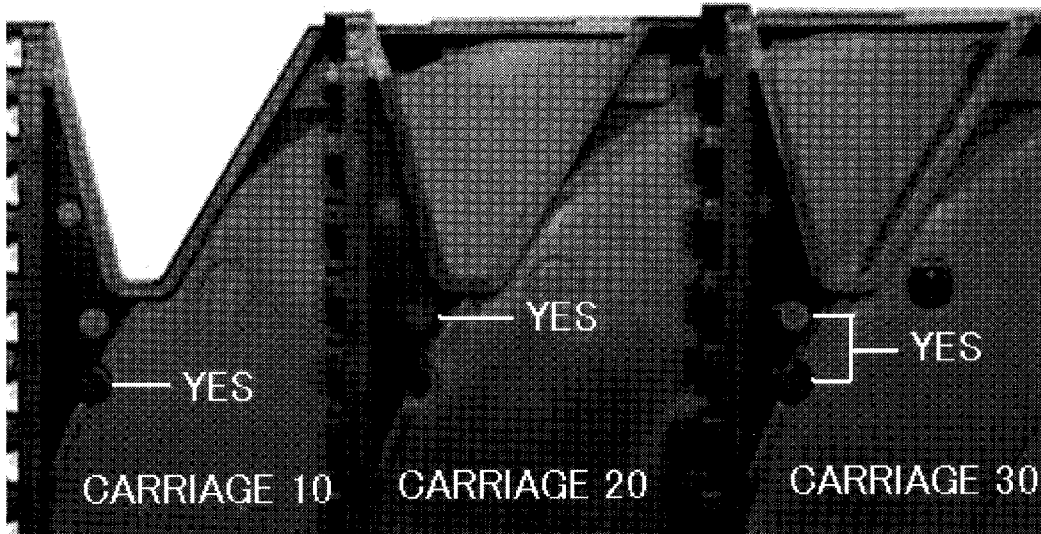


Fig.13

How to remove CARRIAGES from DRAWER block

- 1) Turn BEVEL GEAR 4(17) anti-clockwise. (See Fig. 14.)
- 2) By turning BEVEL GEAR 4, the uppermost CARRIAGE slides out.
- 3) Hold the CARRIAGE at its center and bring it up. Then you can take it out.
- 4) Then, turn BEVEL GEAR 4 (17) anti-clockwise and take out the second CARRIAGE.
- 5) Take out the bottom CARRIAGE with the same way.

Note : BEVEL GEAR 4 falls down easily. Take care for its missing.

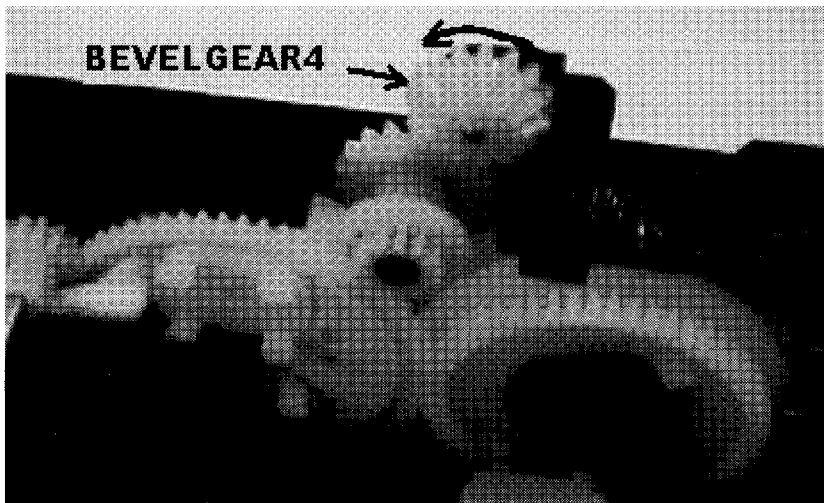


Fig.14

E. How to re-assemble DRAWER block

- A) First insert **CARRIAGE 30(63)** between ARM(44) and TURN TABLE and set it until inside end. Push SLIDER 2(36) block down and slide it until inside end. CARRIAGE is locked with ARM.
- B) How to set CARRIAGEs to DRAWER(2)
 - 1) Turn BEVEL GEAR 4 (17) clockwise. The lower PINION in GEAR SUPPORT turns anti-clockwise. After it stops, the upper PINION turns clockwise. Just before the lower PINION starts to turn, stop to turn GEAR IDLER 2. Set **CARRIAGE 20(62)** as fitting it with the lower PINION as Fig. 15.

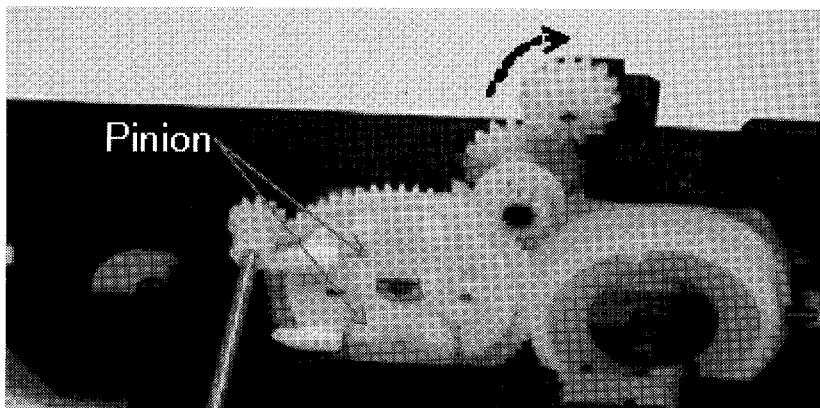


Fig.15

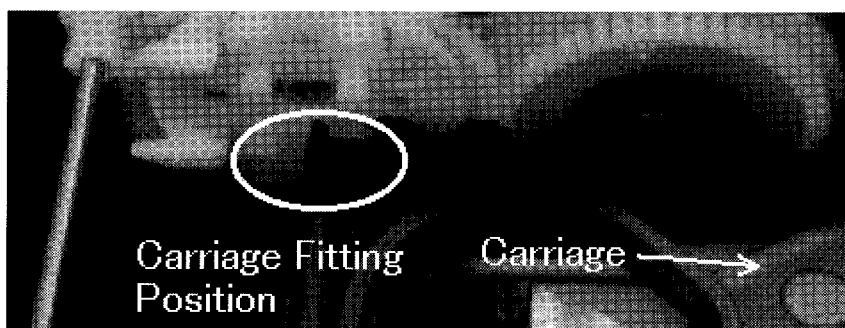


Fig.16

- 2) Then push in the left side of **CARRIAGE 20** on STAR GEAR C(20) and the rail part by warping the CARRIAGE. (See Fig. 16.)
- 3) Turn BEVEL GEAR 4 (8) clockwise to move **CARRIAGE 20** inside. After it reaches innermost, you cannot turn BEVEL GEAR.
- 4) Then set **CARRIAGE 10(12)** as same as **20**.
- 5) Pulling up **CARRIAGE 20** horizontally, turn BEVEL GEAR 4 more clockwise. Then, **CARRIAGE 20** is installed and **CARRIAGE 10** moves inside by turning BEVEL GEAR 4(17) clockwise.
- 6) **CARRIAGEs** is set.

- 7) In assembly of the left side of CHASSIS, GEAR IDLER A(39) has a direction. (See Fig.18) Set it as its marking faced to the front. (If it doesn't have any marking, no need to take care of direction.)
Note : GEAR IDLER A(39) may fall down. Take care for its missing.
- 8) Move BEVEL GEAR 1(27) to the center of the SHAFT(24).
- 9) First attach the right side hook part of DRAWER block to CHSSIS block and BEVEL GEAR(27) (See Fig. 17). Then move DRAWER block inside as holding its left side up. Fit its left side project into the hole of CHASSIS end.

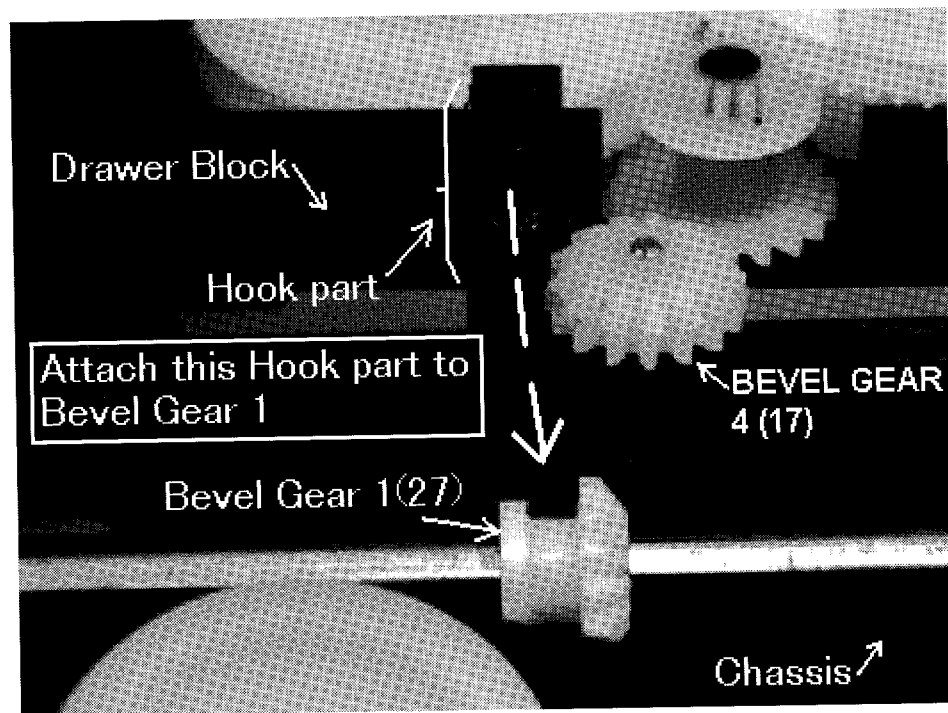


Fig.17

- 10) When you assemble DRAWER block with CHASSIS, it is important that linear gears in CHASSIS gang well with GEAR IDLER A(39). While GEAR IDLER A isn't ganged well, turn PULLEY B(49) (Fig. 11) a bit and make them ganged. (Take care not to turn it much. GEAR IDLER A should be in +/- 45 degrees from the center.) (See Fig. 18)
- 11) Push in two hooks at the both sides as they sound click. (You may fix the right side hooks first before you move Drawer block inside in item 9).
- 12) Put COVER(23) and mount six SCREWS(115).
- 13) This is a completed or removed condition. (See Fig. 19.)

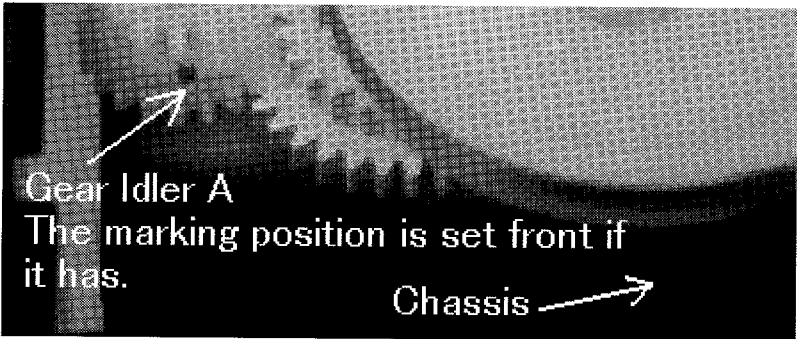


Fig. 18

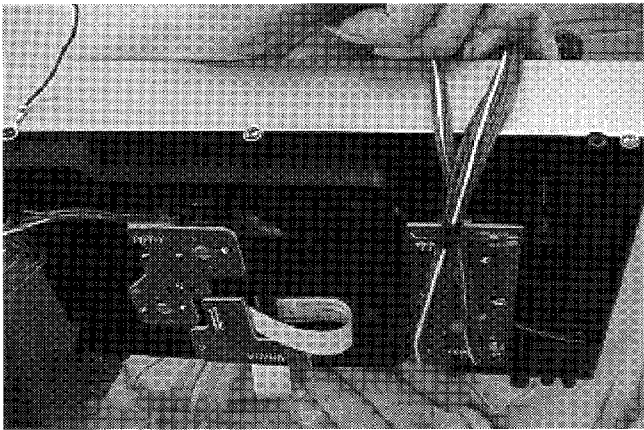


Fig. 19

TUNER ADJUSTMENT PROCEDURES

Preparation

1. Input

FM mono: 1kHz, 75kHz devi., 60dB/ μ V

FM stereo: 1kHz, 67.5kHz devi., 60dB/ μ V

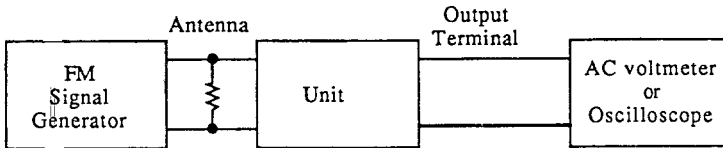
Pilot signal 19kHz 7.5kHz devi.

2. Outputs

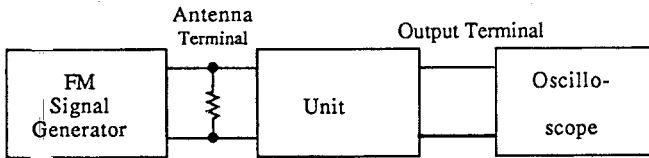
Connect the non-inductive type resistor of 8 ohms to the all speaker terminals unless otherwise noted.

FM ADJUSTMENT

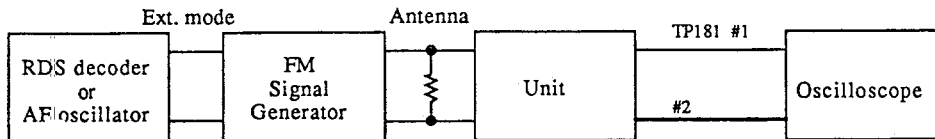
Item	Connection of instrument	FM SG output	Stereo modulator output	Tuning frequency	Output indicator	Adjustment point	Adjust for	Remarks
FM RF	Fig.1	99.0MHz 1kHz 75kHz devi. 65dBf(60dB)	—	99.0MHz	AC voltmeter	IFT on the front end	Maximum	FM MUTE/MODE switch: MONO
Muting Level	Fig.2	99.0MHz 19.2dBf(14dB)	—	99.0MHz	Oscilloscope	R101	Signal output	FM MUTE/MODE switch: AUTO
RDS	Fig.3	99.0MHz Ext. mod.60dB	RDS data or 57kHz 3% devi.	99.0MHz	Oscilloscope	R181	Maximum	



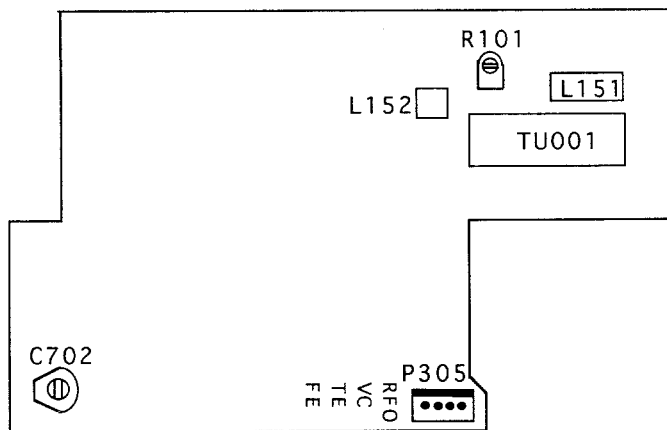
<Fig. 1>



<Fig. 2>



<Fig. 3>



TEST POINTS

CD ADJUSTMENT PROCEDURES

Clock Frequency Adjustment

1. Connect to P701 of frequency counter.
2. Press and hold the DOWN button, then press the DISC-3 (OPEN/CLOSE) button.
3. Adjust trimmer (C702) so that the frequency counter to $524.288\text{kHz} \pm 1\text{Hz}$.

Confirmation of Jitter

1. Connect the jitter meter to pin 3(VC) and pin 4 (RF0) of test point (P305).
2. Load the test disc (SONY TYPE-4) on the tray and play the track 2.
3. Confirm the jitter value is less than 10.5nsec .

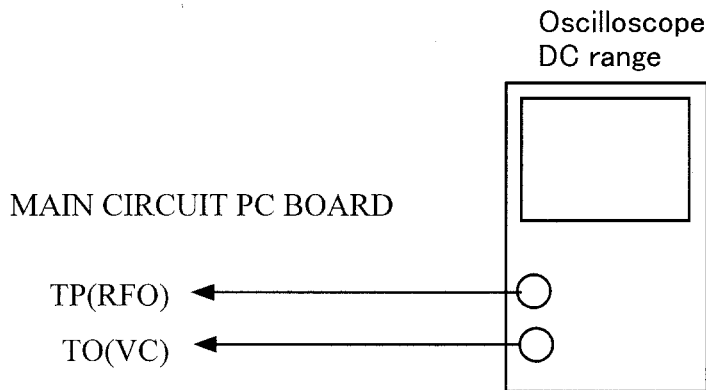
Auto Adjustment

1. Press and hold the DOWN button, then press the DISC-2 (OPEN/CLOSE) button.
2. Insert disc-1 (YEDS-18) and press >play button.
3. Connect the oscilloscope to pin 3(VC) and pin 2 (TE) of test point (P305).
4. Press play button.
5. Confirm that the center of tracking error signal on the oscilloscope becomes GND level.

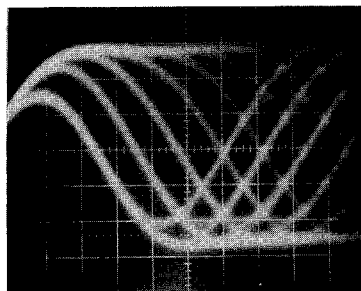
Confirmation of RF level

It is not necessary to perform the adjustment of optical pickup.
This confirmation should be made when replacing the optical pickup.

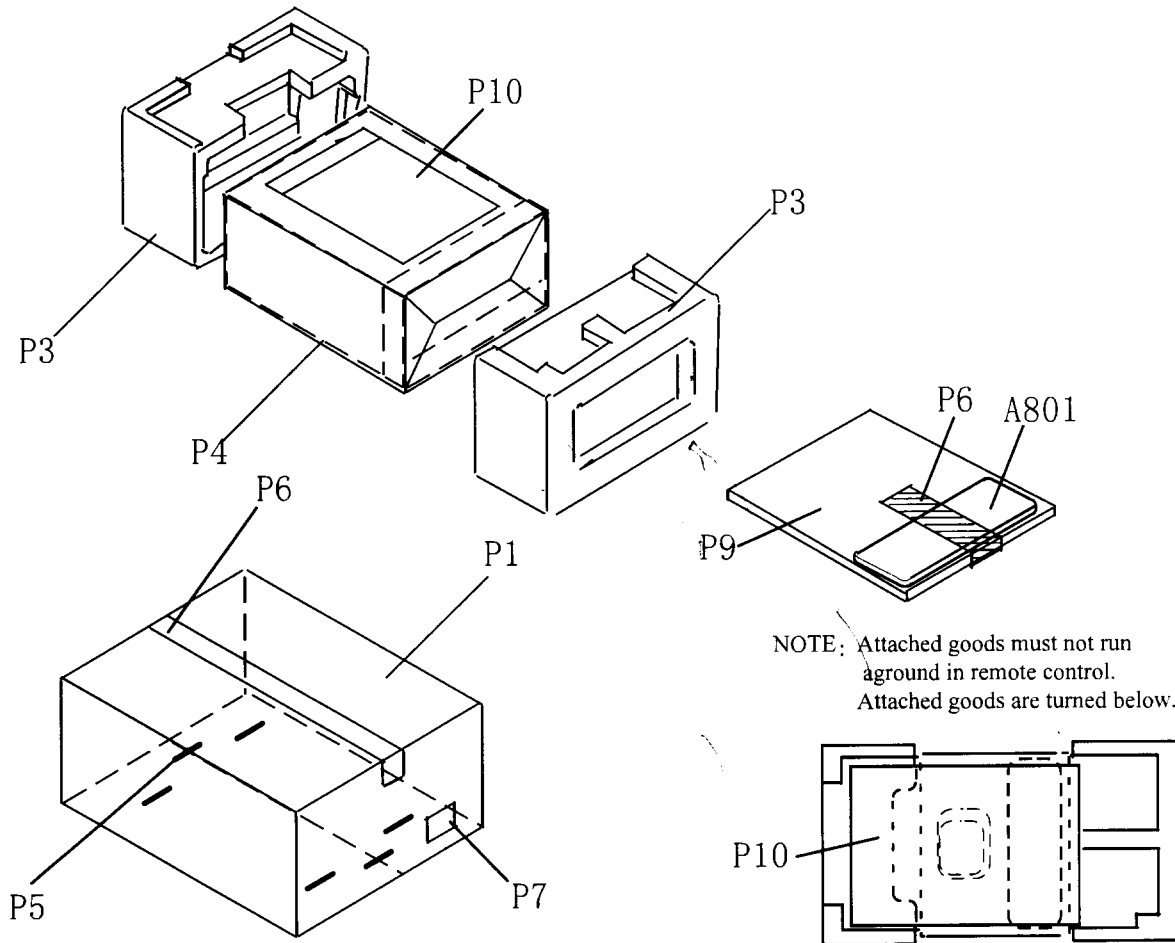
- 1). Connect the oscilloscope to test points RFO and VC.



- 2). Turn the power switch on.
- 3). Load the test disc YEDS-18 on the tray and press the play button.
- 4). Confirm that the waveform on the oscilloscope is optimum eye pattern and optimum level as shown photo 1.
Optimum eye pattern means that shape "◇" can be clearly distinguished at the center of the waveform.



PACKING VIEW



NOTE: Attached goods must not run
aground in remote control.
Attached goods are turned below.

PACKING VIEW PARTS LIST

REF. NO.	PART NO.	DESCRIPTION	REF. NO.	PART NO.	DESCRIPTION
P1	29053344A	Carton box <P>	P10	29342628	Instruction manual
P1	29053370A	Carton box <D>	P10	29342629	Instruction manual FSI <P>
P2,P3	29091771B	Pad	P10	29342630	Instruction manual GSWD <P>
P4	29100123C	430*550,Styrene bag	P10	29358002K	Service station list <D>
P5	282321	Staple	P10	29365019B	Warranty card <D>
P6	29110071	PP tape	P10	3010054	UM-3,Battery
P7	29362353	Label EAN <P>	P10	29355133A	Label DBP <P>
P7	29362379	Label UPC <D>		262002	Adhesive tape
P9	29095839	SHEET		261504	Paper tape
A801	24140332B	RC-332S,Remote controller			
P10	29100097-1A	350*250,Styrene bag			
P10	25065462	YAE21-0237,FM antenna terminal			
P10	292116	FM antenna			

NOTE: <P> 230V model only
<D> 120V model only

ONKYO CORPORATION

Sales & Product Planning Div. : 2-1, Nisshin-cho, Neyagawa-shi, OSAKA 572-8540, JAPAN
Tel: 0720-31-8111 Fax: 0720-33-5222

ONKYO U.S.A. CORPORATION

200 Williams Drive, Ramesy, N.J. 07446, U.S.A.
Tel: 201-825-7950 Fax : 201-825-8150 E-mail: onkyo@onkyousa.com

ONKYO EUROPE ELECTRONICS GmbH

Industriestrasse 20, 82110 Germering, GERMANY
Tel : 089 84 93 20 Fax : 089 84 93 226 E-mail: info@onkyo.de

ONKYO CHINA LIMITED

Units 2102-7, Metroplaza Tower I, 223 Hing Fong Road, Kwai Chung,
N.T., HONG KONG Tel: 852 2429 3118 Fax: 852 2428 9039